

## Rubber Endstop Buffers · truncated cone form

25150.0938



### Product Description

To be used as an elastic end-stop, bearing foot etc.  
The hardness is  $55 \pm 5^\circ$  shore A. Further shore hardnesses ( $40 \pm 5^\circ$  shore A and  $70 \pm 5^\circ$  shore A) on request.

### Material

#### Support washer

- Stainless steel 1.4301

#### Threaded bushing

- Stainless steel 1.4301

#### Body

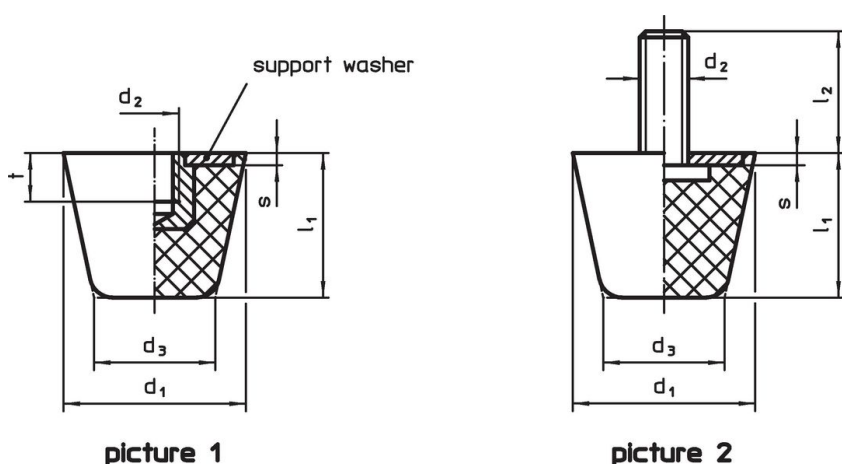
- NBR

### More information

#### Further products

- Support Legs, impact cushioning
- Silicone Endstop Buffers, truncated cone form

### Drawing



picture 1

picture 2

### Order information

| Dimensions                                      |                |                |                |   |   | Spring rate R<br>~<br>[N/mm] | Load capacity<br>max.<br>[N] | Spring range<br>~<br>[mm] | Temperature range |      | Weight<br>[g] | Art. No.   |
|---|----------------|----------------|----------------|---|---|------------------------------|------------------------------|---------------------------|-------------------|------|---------------|------------|
| d <sub>1</sub>                                  | d <sub>2</sub> | d <sub>3</sub> | l <sub>1</sub> | s | t |                              |                              |                           | min.              | max. |               |            |
| [mm]  |                |                |                |   |   |                              |                              |                           | [°C]              |      |               |            |
| with female thread – picture 1, Stainless steel |                |                |                |   |   |                              |                              |                           |                   |      |               |            |
| 38  | M8             | 24.5           | 32             | 2 | 8 | 125                          | 1200                         | 9.5                       | -30               | 80   | 43            | 25150.0938 |

### Compliance

#### RoHS compliant

Compliant according to Directive 2011/65/EU and Directive 2015/863.

#### Does not contain SVHC substances

No SVHC substances with more than 0.1% w/w contained - SVHC list [REACH] as of 23.01.2024.

#### Does not contain Proposition 65 substances

No Proposition 65 substances included.

<https://www.P65Warnings.ca.gov/>

#### Free from Conflict Minerals

This product does not contain any substances designated as "conflict minerals" such as tantalum, tin, gold or tungsten from the Democratic Republic of Congo or adjacent countries.