

Flat Knurled Nuts • DIN 467  
24760.0030



Product Description

Material

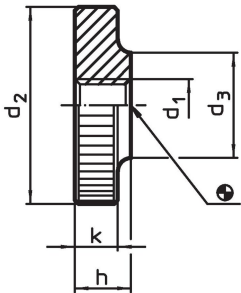
- Steel, blackened, quality 5

More information


Notes

Knurling pitch and knurling depth may differ from DIN.

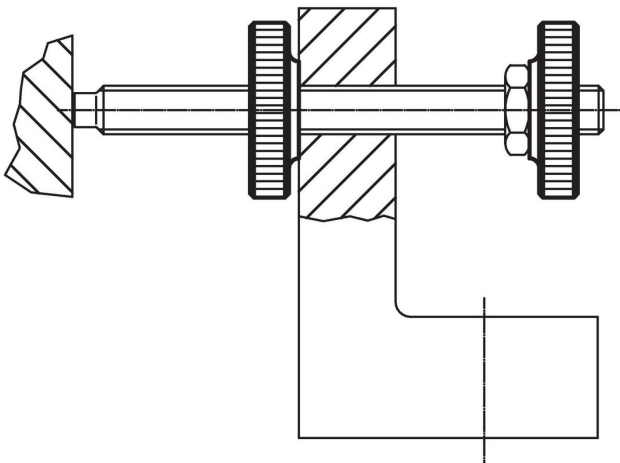
Drawing



Order information

		Dimensions				Art. No.
d <sub>1</sub>	d <sub>2</sub>	d <sub>3</sub> [mm]	h	k	 [g]	
<b>Steel</b>						
M3	12	6	3	2.5	2.1	24760.0030

Application example



## Compliance

### RoHS compliant

Contains lead - compliant according to exceptions 6a / 6b / 6c.

### Contains SVHC substances >0,1% w/w

Contains lead - SVHC list [REACH] as of 23.01.2024.

### Contains Proposition 65 substances



Lead can cause cancer and reproductive harm from exposure  
<https://www.P65Warnings.ca.gov/>

### Free from Conflict Minerals

This product does not contain any substances designated as "conflict minerals" such as tantalum, tin, gold or tungsten from the Democratic Republic of Congo or adjacent countries.