

## Conical Knobs

24550.0031



### Product Description

#### Material

- Thermosetting plastic PF 31, black

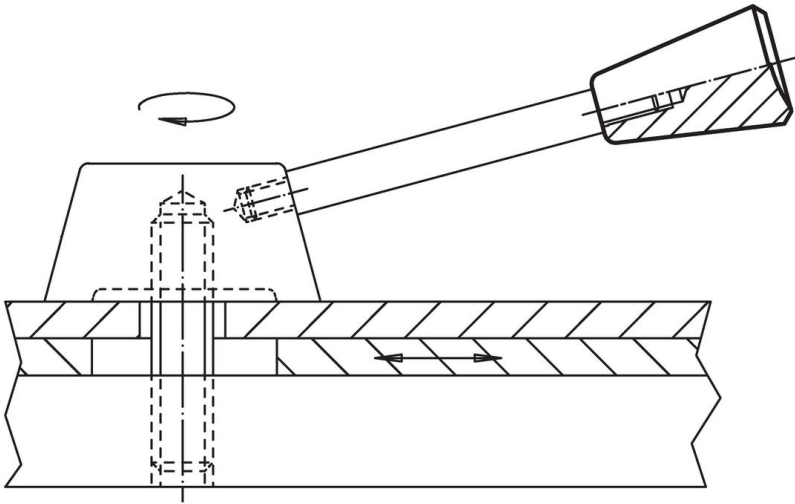
### Drawing



### Order information

Dimensions					max. [°C]	[g]	Art. No.
$d_1$	$d_2$	$d_3$ ~ [mm]	$h$	$t$ min.			
30	M10	18	46	18	110	25	24550.0031

## Application example



## Compliance

### RoHS compliant

Compliant according to Directive 2011/65/EU and Directive 2015/863.

### Does not contain SVHC substances

No SVHC substances with more than 0.1% w/w contained - SVHC list [REACH] as of 23.01.2024.

### Does not contain Proposition 65 substances

No Proposition 65 substances included.

<https://www.P65Warnings.ca.gov/>

### Free from Conflict Minerals

This product does not contain any substances designated as "conflict minerals" such as tantalum, tin, gold or tungsten from the Democratic Republic of Congo or adjacent countries.