

## Eccentric Clamping Washers

23270.0210



### Product Description

The eccentric clamping washers are especially suitable for the clamping of raw parts, e.g. cut-off portions, cast iron parts and forgings.

### Material

#### Eccentric screw

- Steel

#### Body

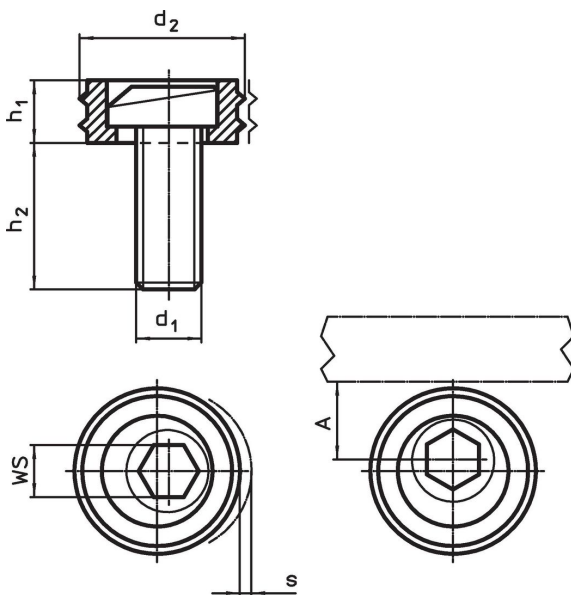
- Steel, case-hardened

### More information


#### Notes

The head of the eccentric screw can slightly protrude from the body ( $h_1$ ).

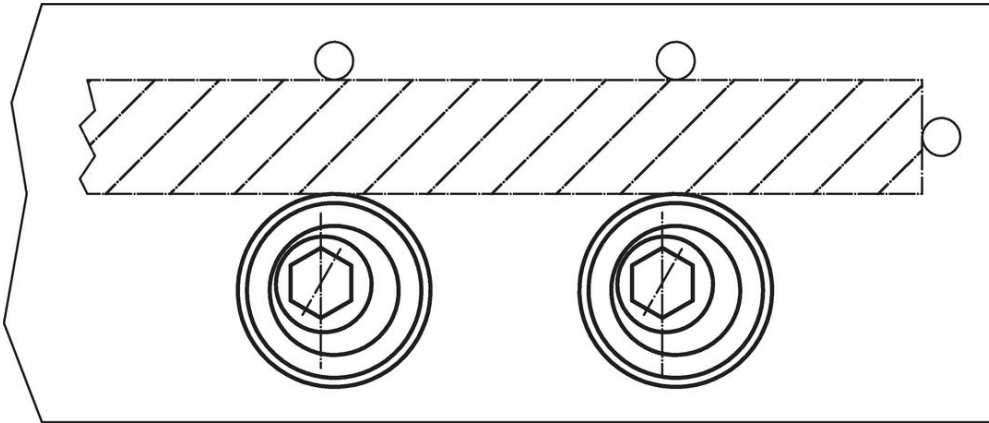
### Drawing



### Order information

| d <sub>1</sub> | d <sub>2</sub> | Dimensions     |                |     | A    | WS   | Clamping force max. | Tightening torque max. |  | Art. No.   |
|----------------|----------------|----------------|----------------|-----|------|------|---------------------|------------------------|---|------------|
|                |                | h <sub>1</sub> | h <sub>2</sub> | s   |      |      |                     |                        |   |            |
|                |                | [mm]           |                |     | [mm] | [mm] | [kN]                | [Nm]                   | [g]   |            |
| M10            | 20.6           | 6.4            | 16             | 1.6 | 10.3 | 7    | 9                   | 26                     | 23  | 23270.0210 |

### Application example



### Compliance

Compliant according to Directive 2011/65/EU and Directive 2015/863.

No SVHC substances with more than 0.1% w/w contained - SVHC list [REACH] as of 27.06.2024.

No Proposition 65 substances included.  
<https://www.P65Warnings.ca.gov/>