

## Collar Nuts • DIN 6331 (height 1,5 d)

23080.0024



### Product Description

The collar nuts (flanged nuts) are manufactured according to DIN 6331.

### Material

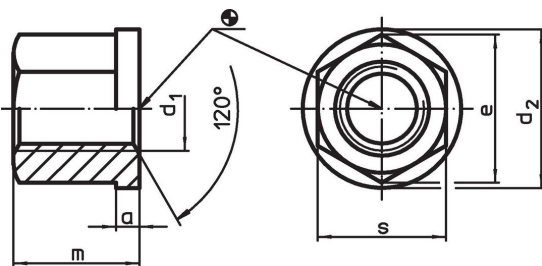
- Heat-treated steel, tempered, quality 10, phosphated

### More information

### References

For torques and strengths please refer to appendix - Technical Data -

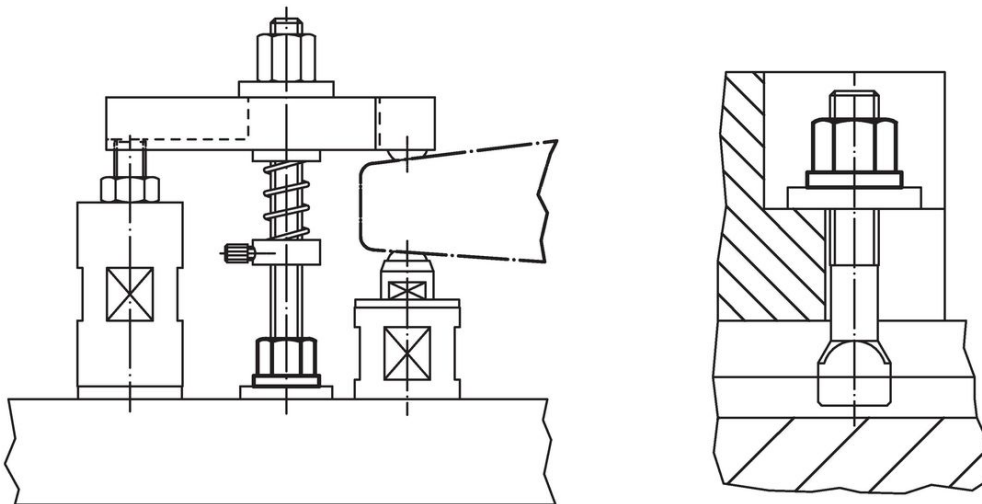
### Drawing



### Order information

Dimensions							Art. No.
d <sub>1</sub>	a	d <sub>2</sub>	e	m	s	[g]	
Heat-treated steel							
M24	6	45	41.6	36	36	213	23080.0024

### Application example



## Compliance

### RoHS compliant

Contains lead - compliant according to exceptions 6a / 6b / 6c.

### Contains SVHC substances >0,1% w/w

Contains lead - SVHC list [REACH] as of 27.06.2024.

### Contains Proposition 65 substances



Lead can cause cancer and reproductive harm from exposure  
<https://www.P65Warnings.ca.gov/>

### Free from Conflict Minerals

This product does not contain any substances designated as "conflict minerals" such as tantalum, tin, gold or tungsten from the Democratic Republic of Congo or adjacent countries.