

## Rod Ends · DIN 12240-4, with female thread

22982.0234



### Product Description

Rod ends are suitable for universal use in applications subject to dynamic loads. As well as use in corrosion-risk areas, the design in stainless steel can also be used under higher dynamic loads. Rod ends are used for bearings where movements between shaft and housing are necessary, and where the movements are not in a straight line.

Rod ends are ready-to-install elements manufactured to DIN ISO 12240-4 (dimension series K). The PTFE fabric inserted into the bearing shell means that the rod ends are maintenance-free.

**Please take note of the technical information which follows these product pages.**

### Material

#### Body

- Free cutting steel, turned, zinc-plated

#### Joint ball

- Roller bearing steel, hardened, ground, polished

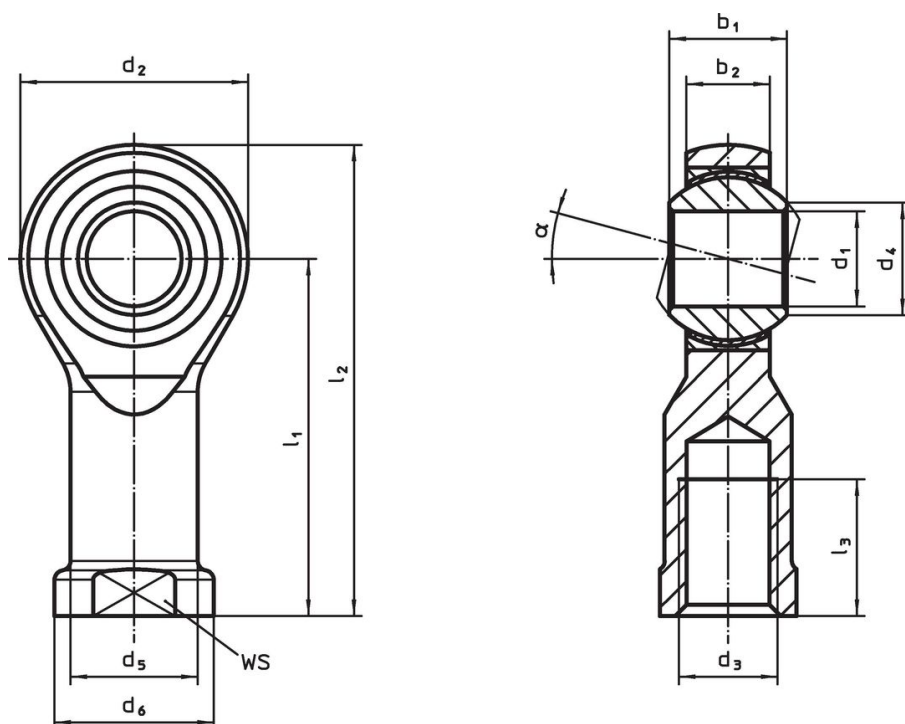
#### Bearing

- PTFE fabric

#### Bearing shell

- Free cutting steel, zinc-plated by galvanization

### Drawing



### Order information

Dimensions											$\alpha$	WS	Dynamic carrying figure C	Static carrying figure $C_0$	min.   max.			Art. No.
$d_1$	$l_1$	$b_1$	$b_2$	$d_2$	$d_3$	$d_4$	$d_5$	$d_6$	$l_2$	$l_3$		[mm]	[kN]	[kN]	[°C]		[g]	
left hand thread, Free cutting steel																		
14	57	19	13.5	36	M14	16.8	20	25	75	25	16°	22	42	21	-50	150	164	22982.0234

## Compliance

### RoHS compliant

Contains lead - compliant according to exceptions 6a / 6b / 6c.

### Contains SVHC substances >0,1% w/w

Contains lead - SVHC list [REACH] as of 23.01.2024.

### Contains Proposition 65 substances



Lead can cause cancer and reproductive harm from exposure  
<https://www.P65Warnings.ca.gov/>

### Free from Conflict Minerals

This product does not contain any substances designated as "conflict minerals" such as tantalum, tin, gold or tungsten from the Democratic Republic of Congo or adjacent countries.