

## Lateral Plungers · with plastic spring and pin

22150.0236



### Product Description

To be used for positioning and applying pressure, e.g. during painting and sandblasting.

#### Material

##### Spring

- plastic

##### Pin

- Thermoplastic POM, white

#### Assembly

It is recommended to moisten the body.

Installation by pressing in.

Formula for calculating the center distance for the mounting hole:

$$l_0 = z/2 + w + x,$$

$l_0$  = center distance,

$y$  = workpiece height,

$w$  = workpiece length,

$x$  = coordinate dimension,

$s$  = stroke,

$z$  = stop diameter

Calculation dimension  $x$ :

$y$  greater than or equal to  $l_2 - d_2/2$ ,

then  $x = d_2/2 - s$

(value  $x$  for this case see table)

or

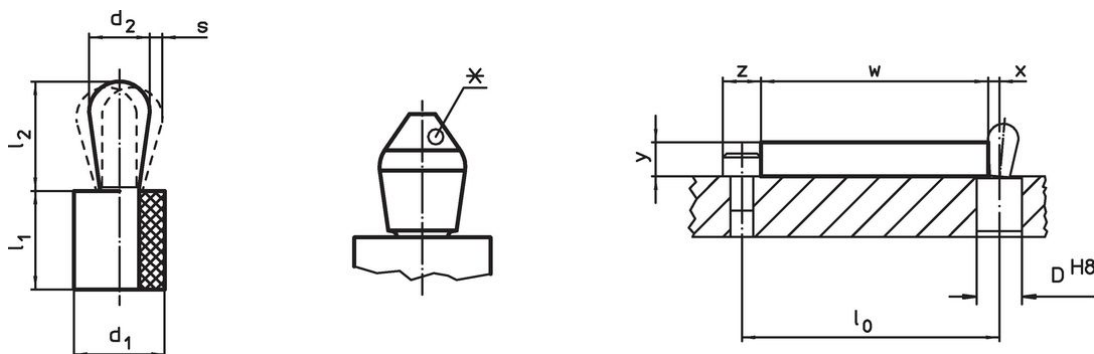
$y$  smaller than  $l_2 - d_2/2$ ,

then  $x = d_2/2 - s - [(l_2 - d_2/2 - y) * 0,123]$

#### Characteristic

Version heavy spring load = green spring

### Drawing



\*some sizes (see chart) have a deviating pin shape



### Order information

| Dimensions |       | Spring load<br>F<br>max. <sup>1)</sup><br>~<br>[N] | Dimensions  |                    | Stroke<br>s<br>[mm] | Location hole<br>D<br>H8<br>[mm] | $x^{2)}$<br>[mm] | max.<br>[°C] | [g] | Art. No.   |
|------------|-------|--|-------------|--------------------|---------------------|----------------------------------|------------------|--------------|-----|------------|
| $d_1$      | $d_2$ |  | $l_1$<br>-1 | $l_2$<br>$\pm 0.5$ |                     |                                  |                  |              |     |            |
| [mm]       | [mm]  | [mm]   | [mm]        | [mm]               | [mm]                | [mm]                             | [°C]             | [g]          |     |            |
| 10         | 5     | 90   | 9           | 7.3                | 0.4                 | 9.9                              | 1.6              | 80           | 1   | 22150.0236 |

<sup>1)</sup> statistical average value

<sup>2)</sup> If the workpiece height ( $y$ ) is less than  $l_2 - d_2/2$ , the coordinate dimension ( $x$ ) must be calculated.

Accessories

|  | Dimensions<br>d <sub>1</sub><br>[mm] | <br>[g] | Art. No.   |
|--|--------------------------------------|--|------------|
| <b>assembly tool</b>   |                                      |  |            |
|  | 10                                   | 46   | 22150.0842 |

Compliance

**RoHS compliant**

Compliant according to Directive 2011/65/EU and Directive 2015/863.

**Does not contain SVHC substances**

No SVHC substances with more than 0.1% w/w contained - SVHC list [REACH] as of 27.06.2024.

**Does not contain Proposition 65 substances**

No Proposition 65 substances included.

<https://www.P65Warnings.ca.gov/>

**Free from Conflict Minerals**

This product does not contain any substances designated as "conflict minerals" such as tantalum, tin, gold or tungsten from the Democratic Republic of Congo or adjacent countries.