

## Lateral Plungers • smooth, with seal

22150.0112



### Product Description

To be used for positioning and applying pressure, e.g. during painting and sandblasting. Sealed against chips and dirt.

### Material

#### Seal

- CR

#### Body

- Aluminium Al

#### Spring

- Steel, zinc-plated by galvanization

#### Pin

- Steel, case-hardened, zinc-plated by galvanization

### Assembly

Installation by pressing in.

Formula for calculating the center distance for the mounting hole:

$$l_0 = z/2 + w + x,$$

$l_0$  = center distance,

$y$  = workpiece height,

$w$  = workpiece length,

$x$  = coordinate dimension,

$s$  = stroke,

$z$  = stop diameter

Calculation dimension  $x$ :

$y$  greater than or equal to  $l_2 - d_2/2$ ,

$$\text{then } x = d_2/2 - s$$

or

$y$  smaller than  $l_2 - d_2/2$ ,

$$\text{then } x = d_2/2 - s - [(l_2 - d_2/2 - y) * 0,123]$$

### Characteristic

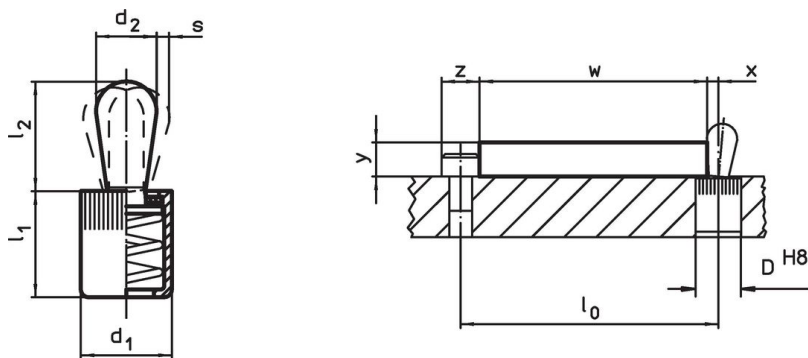
Version heavy spring load = spring from steel, zinc-plated by galvanization

### More information

### Further products

- Eccentric Mounting Bushings, for lateral plungers, smooth

### Drawing



### Order information



| Dimensions |       | Spring load<br>F<br>max. <sup>1)</sup><br>~<br>[N] | Dimensions |           | Stroke<br>s<br>[mm] | Location hole<br>D<br>H8<br>[mm] | $x^{2)}$<br>[mm] | 🌡️<br>max.<br>[°C] | 📦<br>[g] | Art. No.   |
|------------|-------|--|------------|-----------|---------------------|----------------------------------|------------------|--------------------|----------|------------|
| $d_1$      | $d_2$ |  | $l_1$      | $l_2$     |                     |                                  |                  |                    |          |            |
| [mm]       | [mm]  |  | -2         | $\pm 0.5$ |                     |                                  |                  |                    |          |            |
| 6          | 3     | 40   | 7.5        | 4         | 0.5                 | 6                                | 1                | 110                | 0.7      | 22150.0112 |

Pin: Steel/pin from steel, heavy spring load

<sup>1)</sup> statistical average value

<sup>2)</sup> If the workpiece height ( $y$ ) is less than  $l_2 - d_2/2$ , the coordinate dimension ( $x$ ) must be calculated.

## Accessories

|   | Dimensions<br>d <sub>1</sub><br>[mm] | <br>[g] | Art. No.   |
|---|--------------------------------------|--|------------|
| <b>assembly tool</b>  |                                      |  |            |
|  | 6                                    | 19   | 22150.0830 |

## Application example



## Compliance

### RoHS compliant

Contains lead - compliant according to exceptions 6a / 6b / 6c.

### Contains SVHC substances >0,1% w/w

Contains lead - SVHC list [REACH] as of 23.01.2024.

### Contains Proposition 65 substances



Lead can cause cancer and reproductive harm from exposure  
<https://www.P65Warnings.ca.gov/>

### Free from Conflict Minerals

This product does not contain any substances designated as "conflict minerals" such as tantalum, tin, gold or tungsten from the Democratic Republic of Congo or adjacent countries.