

Index Plungers · with hexagon collar and locking, stainless steel A4

22120.1180



Product Description

Index plungers are used for indexing bores.
The stainless steel A4 version ensures maximum corrosion resistance.

Material

Body

- Stainless steel 1.4401

Locking pin

- Stainless steel 1.4401 nickel-plated

Knob

- Thermoplastic PA 6, black-grey, matt

Lock nut

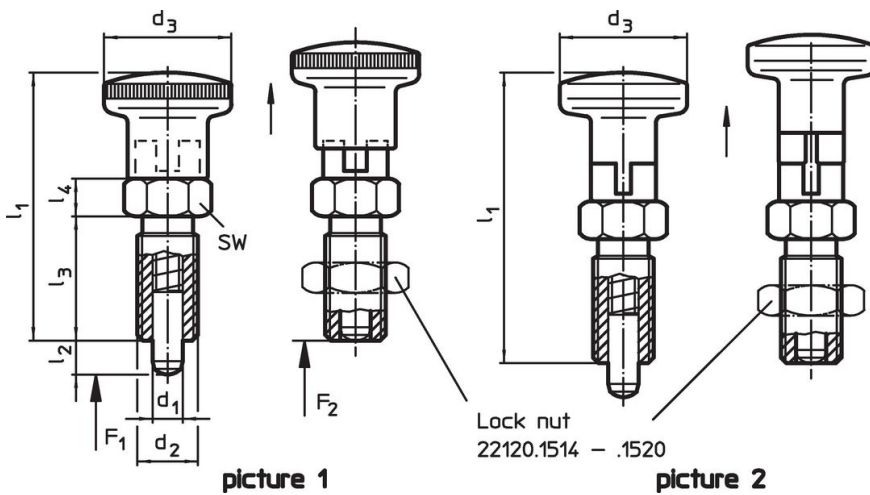
- Stainless steel 1.4401

More information

Notes

Knob not removable.
Lock nuts have to be purchased separately.

Drawing





Order information

| Dimensions | | | Spring load ¹⁾ | | Temperature | | Weight [g] | Art. No. |
|---|----------------|---------------------|---------------------------|----------------|----------------|------|------------|------------|
| d ₁ | d ₂ | l ₂ min. | d ₃ | F ₁ | F ₂ | min. | | |
| [mm] | | | [N] | | [°C] | | | |
| -0.02 -0.05 | | | | ~ | ~ | | | |
| with knob of thermoplastic – picture 1 | | | | | | | | |
| 10 | M16 x 1,5 | 12 | 28 | 7.5 | 32 | -30 | 80 | 70 |
| | | | | | | | | 22120.1180 |

¹⁾ statistical average value

Accessories

| | Dimensions d ₂ [mm] | Wrench size [mm] |  [g] | Art. No. |
|---|--------------------------------------|---------------------|--|------------|
| Lock nuts ISO 8675 (DIN 439), Stainless steel 1.4401 | | | | |
|  | M16 x 1,5 | 24 | 18.0 | 22120.1518 |

Compliance

RoHS compliant

Compliant according to Directive 2011/65/EU and Directive 2015/863.

Does not contain SVHC substances

No SVHC substances with more than 0.1% w/w contained - SVHC list [REACH] as of 23.01.2024.

Does not contain Proposition 65 substances

No Proposition 65 substances included.
<https://www.P65Warnings.ca.gov/>

Free from Conflict Minerals