

## Index Plungers · with hexagon collar, stainless steel A4 22120.1080



### Product Description

Index plungers are used for indexing bores.  
The stainless steel A4 version ensures maximum corrosion resistance.

### Material

#### Body

- Stainless steel 1.4401

#### Locking pin

- Stainless steel 1.4401 nickel-plated

#### Knob

- Thermoplastic PA 6, black-grey, matt

#### Lock nut

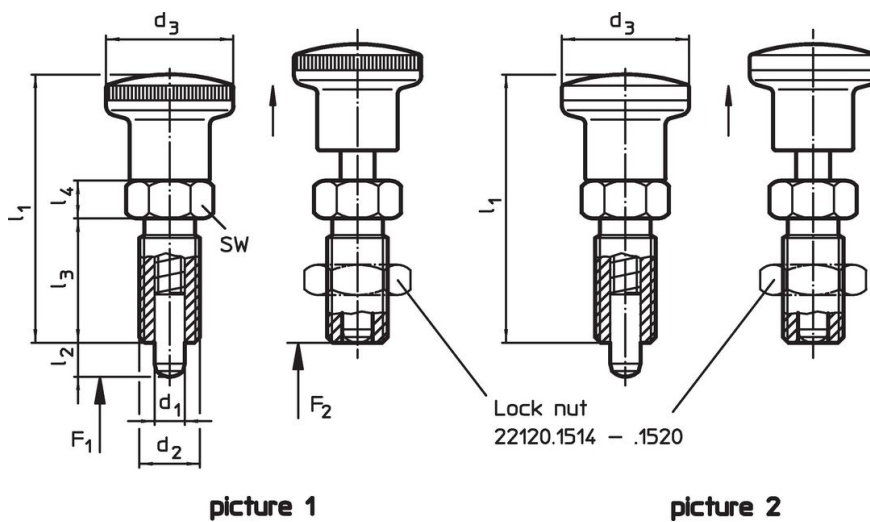
- Stainless steel 1.4401

### More information



#### Notes

Knob not removable.  
Lock nuts have to be purchased separately.

### Drawing





### Order information

| Dimensions                             |                |                        |                |                |                |                | Spring load <sup>1)</sup> |                     | <br>min.   max. |    | <br>[g] | Art. No.   |
|--|----------------|------------------------|----------------|----------------|----------------|----------------|---------------------------|---------------------|--|----|--|------------|
| d <sub>1</sub>                         | d <sub>2</sub> | l <sub>2</sub><br>min. | d <sub>3</sub> | l <sub>1</sub> | l <sub>3</sub> | l <sub>4</sub> | F <sub>1</sub><br>~       | F <sub>2</sub><br>~ |  |    |  |            |
| [mm]                                   |                |                        |                |                |                |                | [N]                       |                     | [°C]   |    |  |            |
| with knob of thermoplastic – picture 1 |                |                        |                |                |                |                |                           |                     |  |    |  |            |
| 10                                     | M16 x 1,5      | 12                     | 28             | 58             | 26             | 8              | 7.5                       | 32                  | -30  | 80 | 64   | 22120.1080 |

<sup>1)</sup> statistical average value

### Accessories

|   | Dimensions<br>d <sub>2</sub><br>[mm] | Wrench size<br>[mm] | <br>[g] | Art. No.   |
|---|--------------------------------------|---------------------|--|------------|
| Lock nuts ISO 8675 (DIN 439), Stainless steel 1.4401                              |                                      |                     |  |            |
|  | M16 x 1,5                            | 24                  | 18.0   | 22120.1518 |

### Compliance

#### RoHS compliant

Compliant according to Directive 2011/65/EU and Directive 2015/863.

#### Does not contain SVHC substances

No SVHC substances with more than 0.1% w/w contained - SVHC list [REACH] as of 23.01.2024.

#### Does not contain Proposition 65 substances

No Proposition 65 substances included.

<https://www.P65Warnings.ca.gov/>

#### Free from Conflict Minerals