

Index Plungers · without hexagon collar, stainless steel

22120.0475



Product Description

Index plungers are used for indexing bores.

Material

Body

- Stainless steel 1.4305

Locking pin

- Stainless steel 1.4305, nickel-plated

Knob

- Stainless steel 1.4305

Assembly

Suitable mounting tools are available.

More information

Notes

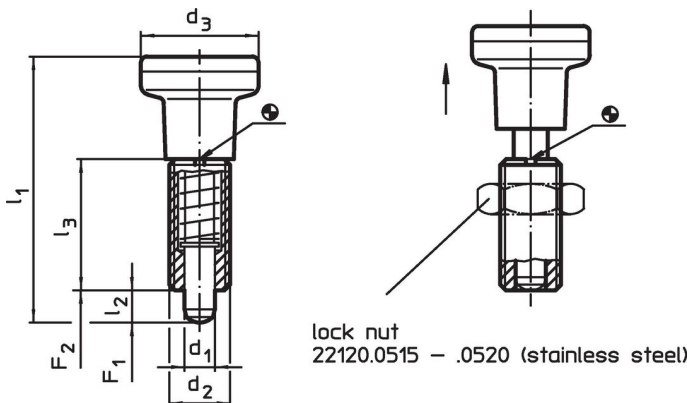
Knob not removable.

Lock nuts have to be purchased separately.

Further products

- Mounting Blocks, for index bolts and index plungers, die-cast
- Distance Collars, for index plungers

Drawing






Order information

Dimensions						Spring load ¹⁾		🌡️	🏋️	Art. No.
d ₁	d ₂	d ₃	l ₁	l ₂	l ₃	F ₁	F ₂	max.		
-0.02			~	min.		~	~			
-0.05		[mm]				[N]		[°C]	[g]	
Stainless steel										
5	M10 x 1	21	45	5	22	6	14	250	36	22120.0475

¹⁾ statistical average value

Accessories

	Dimensions d ₂ [mm]	Wrench size [mm]	 [g]	Art. No.
Lock nuts ISO 8675 (DIN 439), Stainless steel				
	M10 x 1	16	5.2	22120.0515
assembly tool, Steel				
	M10 x 1	-	9.3	22120.0955

Compliance

RoHS compliant

Compliant according to Directive 2011/65/EU and Directive 2015/863.

Does not contain SVHC substances

No SVHC substances with more than 0.1% w/w contained - SVHC list [REACH] as of 27.06.2024.

Does not contain Proposition 65 substances

No Proposition 65 substances included.
<https://www.P65Warnings.ca.gov/>

Free from Conflict Minerals

This product does not contain any substances designated as "conflict minerals" such as tantalum, tin, gold or tungsten from the Democratic Republic of Congo or adjacent countries.