

## Index Plungers · without hexagon collar

22120.0065



### Product Description

Index plungers are used for indexing bores.

#### Material

##### Body

- Free cutting steel, blackened

##### Locking pin

- Steel, hardened

#### Assembly

Suitable mounting tools are available.

#### More information

#### Notes

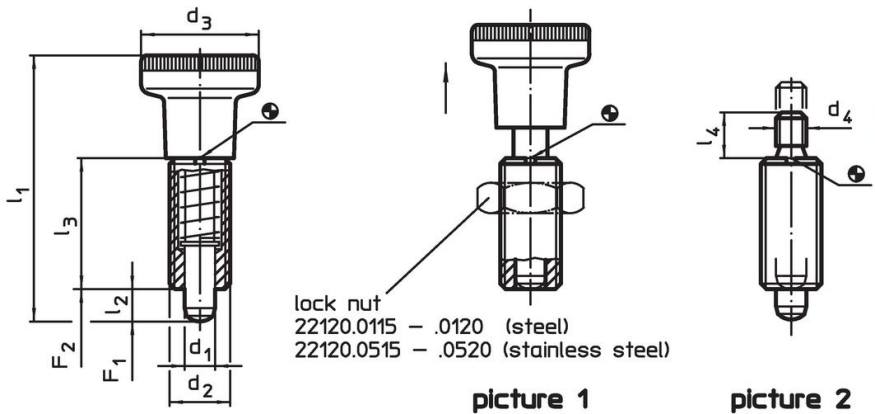
Knob not removable.

Lock nuts have to be purchased separately.

#### Further products

- Mounting Blocks, for index bolts and index plungers, die-cast
- Locating Bushings, for index bolts and index plungers
- Distance Collars, for index plungers

### Drawing






### Order information

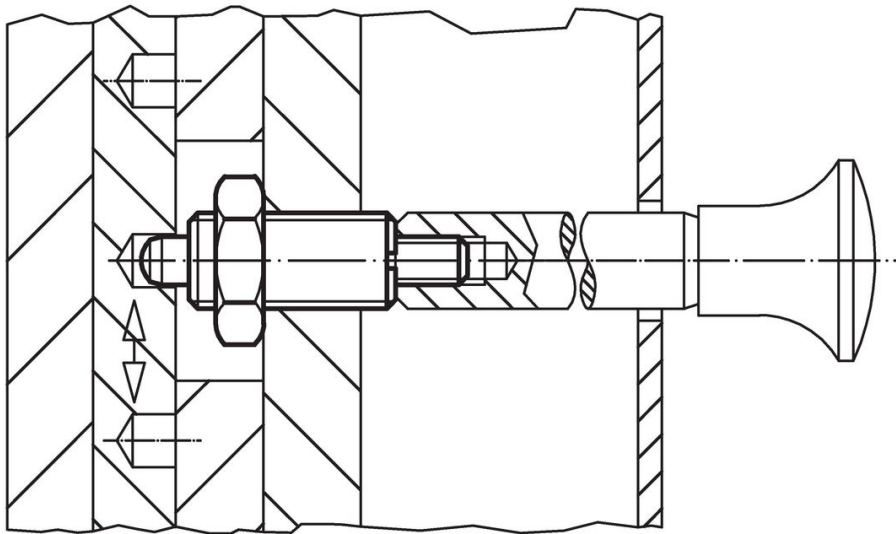
| Dimensions                                   |                |                |                        |                |                | Spring load <sup>1)</sup> |                     | max. |     | Art. No.   |
|--|----------------|----------------|------------------------|----------------|----------------|---------------------------|---------------------|------|-----|------------|
| d <sub>1</sub>                               | d <sub>2</sub> | d <sub>4</sub> | l <sub>2</sub><br>min. | l <sub>3</sub> | l <sub>4</sub> | F <sub>1</sub><br>~       | F <sub>2</sub><br>~ | [°C] | [g] |            |
| [mm]   |                |                |                        |                |                | [N]                       |                     | [°C] | [g] |            |
| without knob – picture 2, Free cutting steel |                |                |                        |                |                |                           |                     |      |     |            |
| 5  | M10 x 1        | M5             | 5                      | 22             | 6              | 6                         | 14                  | 250  | 12  | 22120.0065 |

<sup>1)</sup> statistical average value

## Accessories

|   | Dimensions<br>d <sub>2</sub><br>[mm] | Wrench size<br>[mm] | <br>[g] | Art. No.   |
|---|--------------------------------------|---------------------|--|------------|
| <b>Lock nuts ISO 8675 (DIN 439), Steel</b>  |                                      |                     |  |            |
|  | M10 x 1                              | 16                  | 5.2  | 22120.0115 |
| <b>assembly tool, Steel</b>   |                                      |                     |  |            |
|  | M10 x 1                              | -                   | 9.3  | 22120.0955 |

## Application example



## Compliance

### RoHS compliant

Contains lead - compliant according to exceptions 6a / 6b / 6c.

### Contains SVHC substances >0,1% w/w

Contains lead - SVHC list [REACH] as of 23.01.2024.

### Contains Proposition 65 substances



Lead can cause cancer and reproductive harm from exposure  
<https://www.P65Warnings.ca.gov/>

### Free from Conflict Minerals

This product does not contain any substances designated as "conflict minerals" such as tantalum, tin, gold or tungsten from the Democratic Republic of Congo or adjacent countries.