

## Index Plungers · with mounting flange, horizontal, stainless steel

22110.2348



### Product Description

Index plungers are used for indexing bores.

### Material

#### Housing

- Stainless steel 1.4308, precision casting, bright, matt blasted

#### Locking pin

- Stainless steel 1.4305

#### Knob

- Thermoplastic PA 6, black, dull

### Assembly

Assembly by means of washers ISO 7092.

### Operation

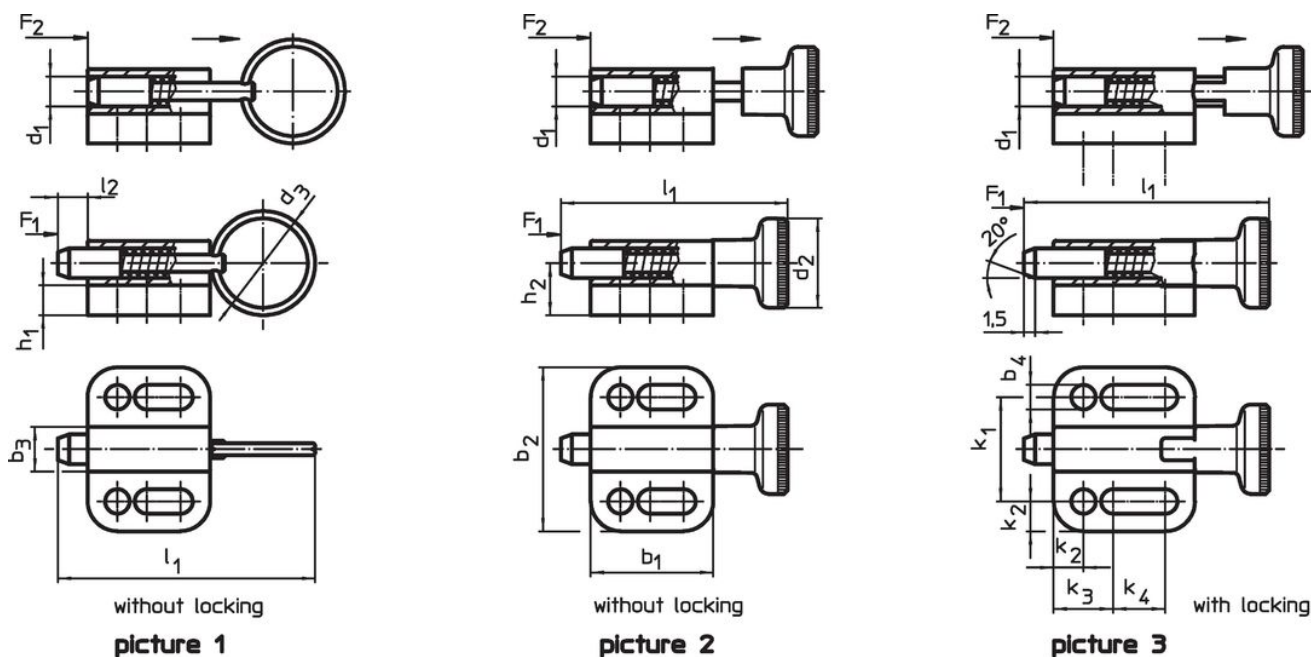
When using locking index plungers, the knob is pulled-out, turned 90° and secured by a notched catch (when locking pin should not overhang).

### More information

### Notes

Knob not removable.

### Drawing



### Order information

Dimensions														Spring load <sup>1)</sup>		Temperature		Weight	Art. No.						
d <sub>1</sub>	d <sub>2</sub>	b <sub>1</sub>	b <sub>2</sub>	b <sub>3</sub>	b <sub>4</sub>	h <sub>1</sub>	h <sub>2</sub>	k <sub>1</sub>	k <sub>2</sub>	k <sub>3</sub>	k <sub>4</sub>	l <sub>1</sub>	l <sub>2</sub>	F <sub>1</sub>	F <sub>2</sub>	min.	max.	[g]							
h11					-0.2			±0.05					min.	~	~										
[mm]																				[N]		[°C]		[g]	
<b>with knob and locking – picture 3</b>																									
8	21	37.5	34	12	5.4	6	12.5	23	5.5	12	20	63.5	8	6	22	-30	80	68	22110.2348						

<sup>1)</sup> statistical average value

## Compliance

### RoHS compliant

Compliant according to Directive 2011/65/EU and Directive 2015/863.

### Does not contain SVHC substances

No SVHC substances with more than 0.1% w/w contained - SVHC list [REACH] as of 27.06.2024.

### Does not contain Proposition 65 substances

No Proposition 65 substances included.

<https://www.P65Warnings.ca.gov/>

### Free from Conflict Minerals