

## Index Plungers · with mounting flange, horizontal, stainless steel

22110.2324



### Product Description

Index plungers are used for indexing bores.

#### Material

##### Housing

- Stainless steel 1.4308, precision casting, bright, matt blasted

##### Locking pin

- Stainless steel 1.4305

##### Knob

- Thermoplastic PA 6, black, dull

#### Assembly

Assembly by means of washers ISO 7092.

#### Operation

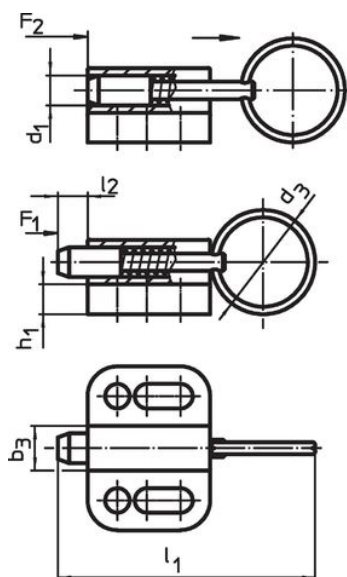
When using locking index plungers, the knob is pulled-out, turned 90° and secured by a notched catch (when locking pin should not overhang).

#### More information

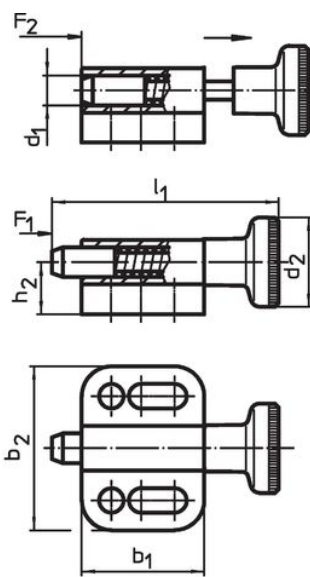
#### Notes

Knob not removable.

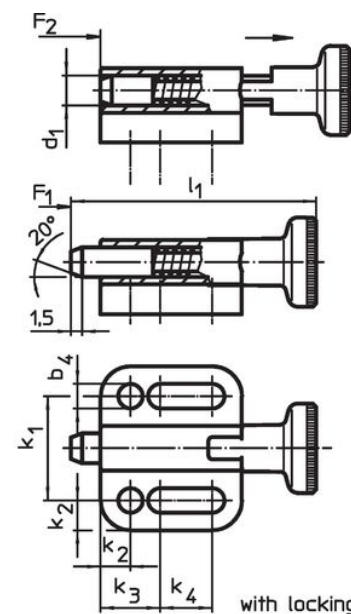
### Drawing



without locking  
picture 1



without locking  
picture 2



with locking  
picture 3

### Order information

Dimensions														Spring load <sup>1)</sup>		Temperature		Weight [g]	Art. No.
d <sub>1</sub>	d <sub>2</sub>	b <sub>1</sub>	b <sub>2</sub>	b <sub>3</sub>	b <sub>4</sub>	h <sub>1</sub>	h <sub>2</sub>	k <sub>1</sub>	k <sub>2</sub>	k <sub>3</sub>	k <sub>4</sub>	l <sub>1</sub>	l <sub>2</sub>	F <sub>1</sub>	F <sub>2</sub>	min.	max.		
[mm]														[N]		[°C]			
<b>with knob, without locking – picture 2</b>																			
4	12	16.5	22	6	3.3	4	7	14	4	8	4.5	30.5	4	3	12	-30	80	14	22110.2324

<sup>1)</sup> statistical average value

## Compliance

### RoHS compliant

Compliant according to Directive 2011/65/EU and Directive 2015/863.

### Does not contain SVHC substances

No SVHC substances with more than 0.1% w/w contained - SVHC list [REACH] as of 23.01.2024.

### Does not contain Proposition 65 substances

No Proposition 65 substances included.

<https://www.P65Warnings.ca.gov/>

### Free from Conflict Minerals