

Index Plungers · with mounting flange, horizontal, stainless steel

22110.2304



Product Description

Index plungers are used for indexing bores.

Material

Housing

- Stainless steel 1.4308, precision casting, bright, matt blasted

Locking pin

- Stainless steel 1.4305

Pull-ring

- Stainless steel 1.4310

Assembly

Assembly by means of washers ISO 7092.

Operation

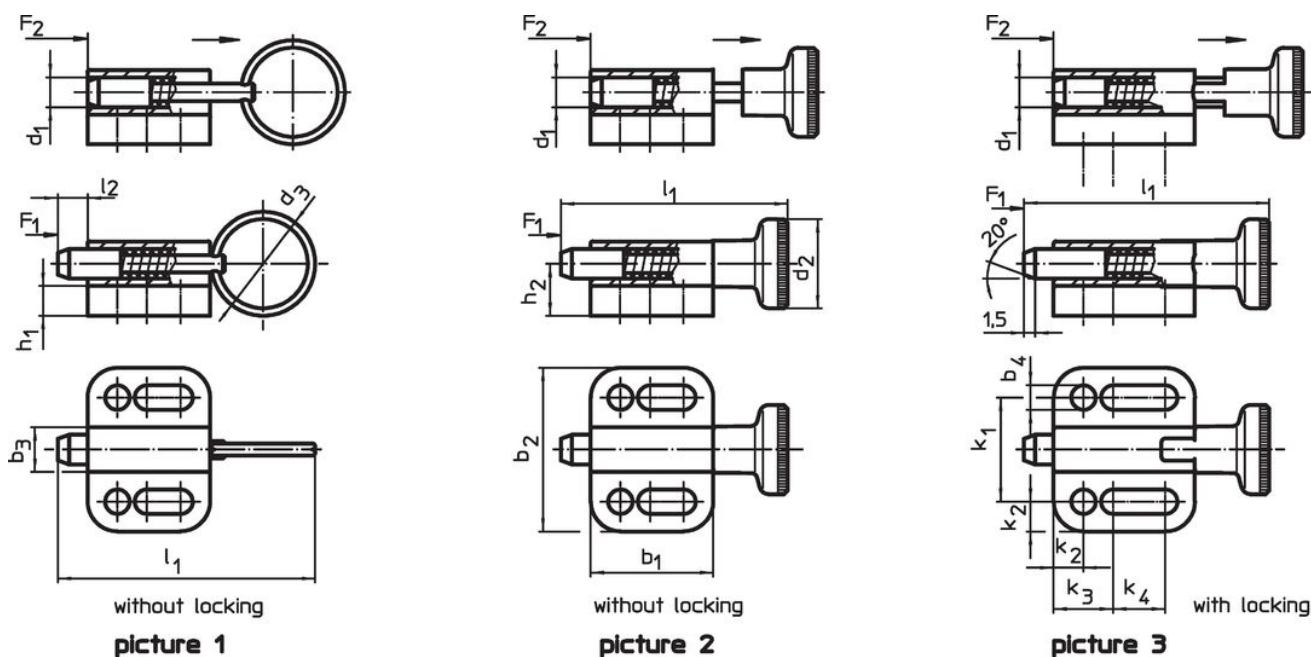
When using locking index plungers, the knob is pulled-out, turned 90° and secured by a notched catch (when locking pin should not overhang).

More information

Notes

Knob not removable.

Drawing



Order information

Dimensions														Spring load ¹⁾		max. [°C]	[g]	Art. No.	
d ₁ h11	d ₃	b ₁	b ₂	b ₃	b ₄ -0.2	h ₁	h ₂	k ₁ ±0.05	k ₂	k ₃	k ₄	l ₁	l ₂ min.	F ₁ ~	F ₂ ~				
[mm]																	[N]	[g]	
with pull-ring, without locking – picture 1																			
4	14	16.5	22	6	3.3	4	7	14	4	8	4.5	34.5	4	3	12	100	12	22110.2304	

¹⁾ statistical average value

Compliance

RoHS compliant

Compliant according to Directive 2011/65/EU and Directive 2015/863.

Does not contain SVHC substances

No SVHC substances with more than 0.1% w/w contained - SVHC list [REACH] as of 27.06.2024.

Does not contain Proposition 65 substances

No Proposition 65 substances included.

<https://www.P65Warnings.ca.gov/>

Free from Conflict Minerals