

Base Plates

1100.500



Product Description

Material

- Steel, hardened, ground

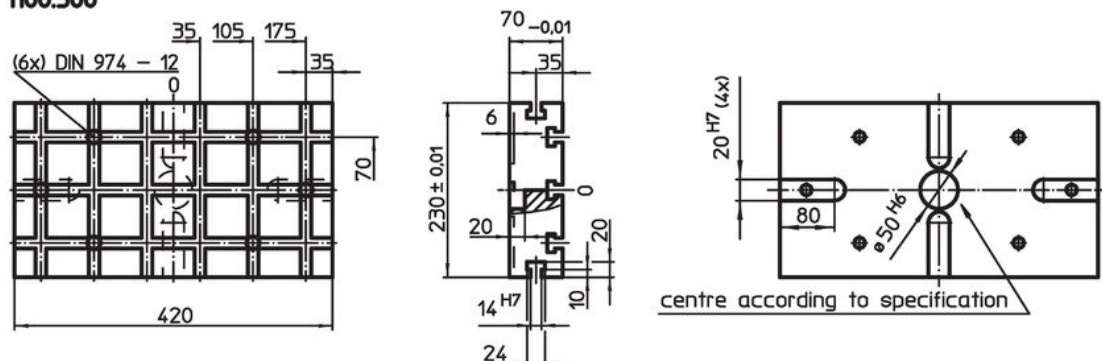
More information

Notes

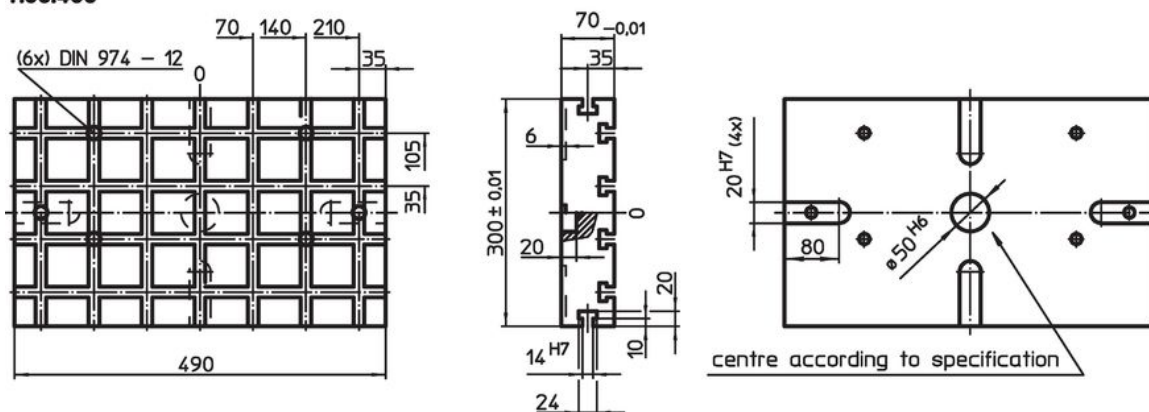
Customized design on request.

Drawing

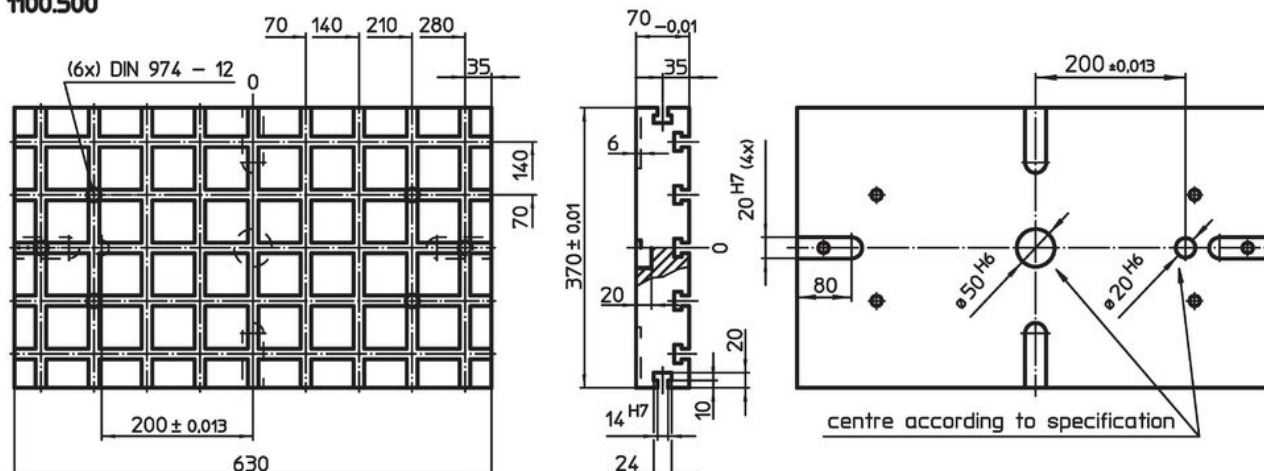
1100.300



1100.400




1100.500

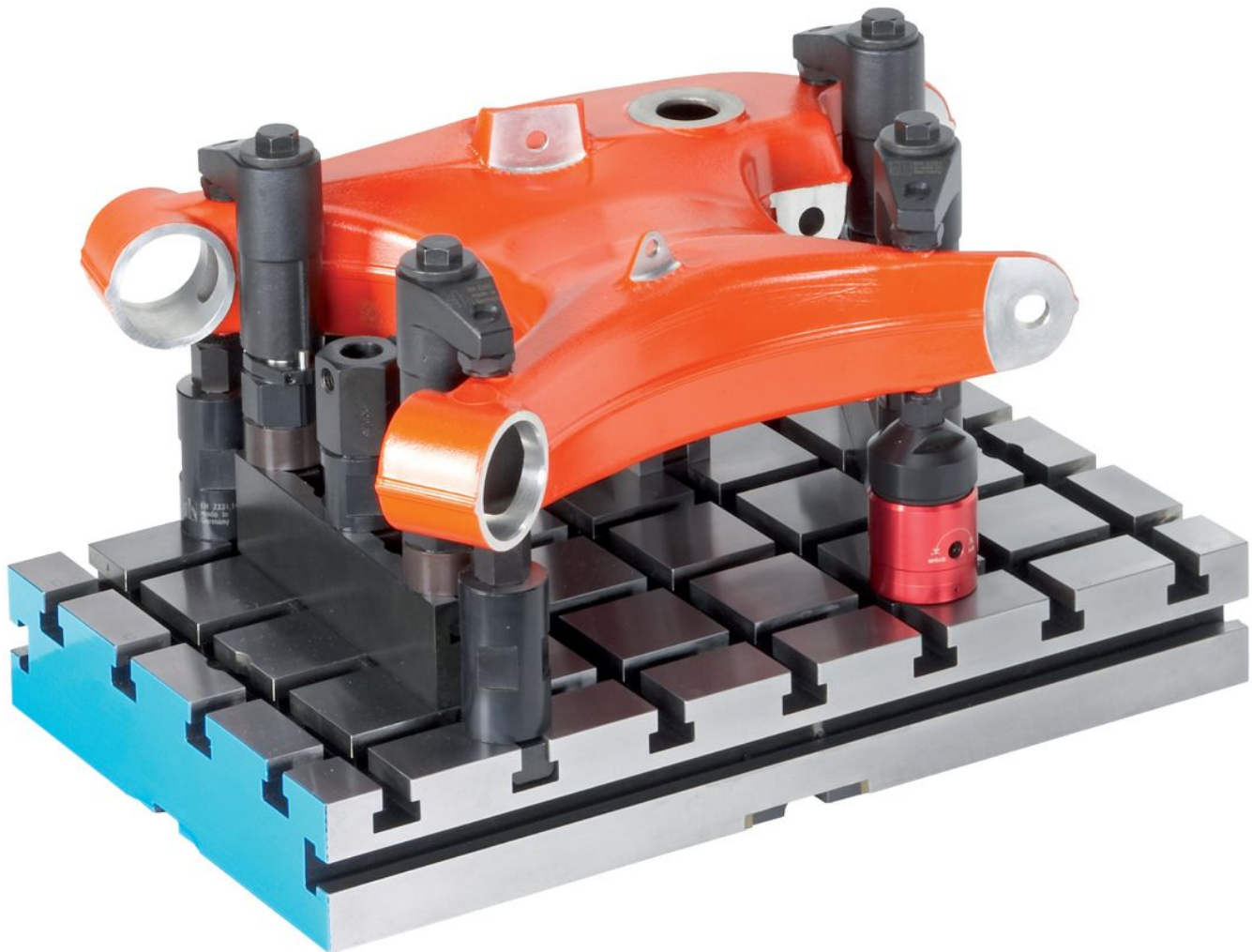


Slot spacing 70 ± 0.01.

Order information

System	Dimensions				y [mm]	Number of T-slots	 [kg]	Art. No.
	b ₁	b ₂	l ₁	l ₂				
V70	370	70	630	210	12	5 x 9	104	1100.500

Application example







Compliance

RoHS compliant

Contains lead - compliant according to exceptions 6a / 6b / 6c.

Contains SVHC substances >0,1% w/w

Contains lead - SVHC list [REACH] as of 27.06.2024.

Contains Proposition 65 substances



Lead can cause cancer and reproductive harm from exposure
<https://www.P65Warnings.ca.gov/>

Free from Conflict Minerals

This product does not contain any substances designated as "conflict minerals" such as tantalum, tin, gold or tungsten from the Democratic Republic of Congo or adjacent countries.