

## Pieds de machines • avec système anti-dérapiage

EH 22593.



### Description produit

Les pieds de machines peuvent être utilisés de manière universelle comme pieds réglables. Ce modèle avec capuchon en caoutchouc protège les surfaces d'appui sensibles et atténue le dérapage.

Le patin est vissé avec la tige filetée/l'écrou par une vis de fixation en acier inoxydable et collé.

### Matières

#### Goujon fileté

- acier, zingué par galvanisation, passivé
- inox 1.4305

#### Embout

- caoutchouc, noir

#### Écrou

- acier, zingué par galvanisation, passivé
- inox 1.4305

#### Contre-écrou

- acier, zingué, passivé, ISO 4032
- inox A2, ISO 4032

#### Patin

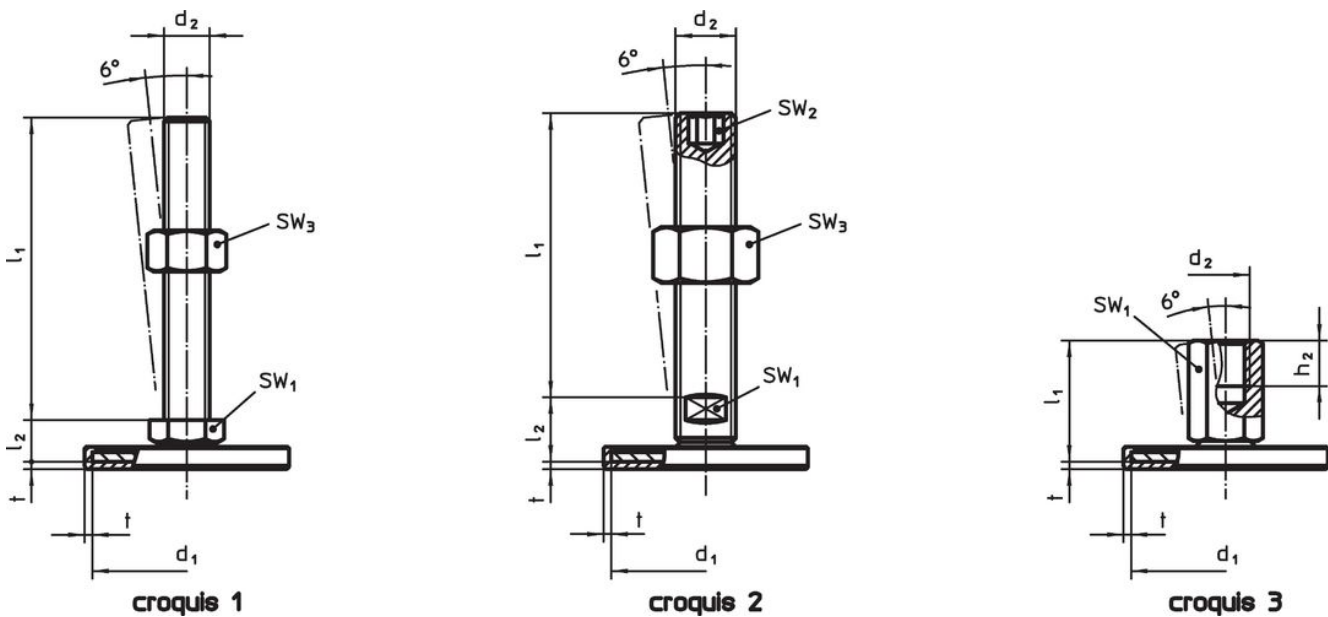
- acier, zingué par galvanisation, passivé
- inox 1.4301, tribofini

### Plus d'informations

#### Autres produits


- Pieds de machines


### Plan




### Informations détaillées

d <sub>1</sub>	d <sub>2</sub>	Dimensions				SW <sub>1</sub>	SW <sub>2</sub>	SW <sub>3</sub>	[g]	Référence article
		l <sub>1</sub>	h <sub>2</sub>	l <sub>2</sub>	t					
[mm]										
avec filetage – croquis 1, acier										
40	M 8	40	–	11	1,5	17	–	13	51	<a href="#">22593.0305</a>
40	M 8	50	–	11	1,5	17	–	13	51	<a href="#">22593.0310</a>
40	M 8	63	–	11	1,5	17	–	13	56	<a href="#">22593.0315</a>
40	M10	50	–	11	1,5	17	–	16	65	<a href="#">22593.0320</a>
40	M10	60	–	11	1,5	17	–	16	71	<a href="#">22593.0325</a>
40	M10	80	–	11	1,5	17	–	16	80	<a href="#">22593.0330</a>
40	M10	100	–	11	1,5	17	–	16	94	<a href="#">22593.0335</a>
40	M12	60	–	11	1,5	17	–	18	86	<a href="#">22593.0340</a>
40	M12	80	–	11	1,5	17	–	18	102	<a href="#">22593.0345</a>

d <sub>1</sub>	d <sub>2</sub>	Dimensions				t	SW <sub>1</sub>	SW <sub>2</sub>	SW <sub>3</sub>		Référence article
		l <sub>1</sub>	h <sub>2</sub>	l <sub>2</sub>	[mm]						
40	M12	100	–	11	1,5	17	–	18	118	22593.0350	
40	M12	125	–	11	1,5	17	–	18	136	22593.0355	
50	M 8	40	–	11	2,0	17	–	13	70	22593.0360	
50	M 8	50	–	11	2,0	17	–	13	74	22593.0365	
50	M 8	63	–	11	2,0	17	–	13	77	22593.0370	
50	M10	50	–	11	2,0	17	–	16	87	22593.0375	
50	M10	60	–	11	2,0	17	–	16	91	22593.0380	
50	M10	80	–	11	2,0	17	–	16	103	22593.0385	
50	M10	100	–	11	2,0	17	–	16	113	22593.0390	
50	M12	60	–	11	2,0	17	–	18	109	22593.0395	
50	M12	80	–	11	2,0	17	–	18	110	22593.0400	
50	M12	100	–	11	2,0	17	–	18	139	22593.0405	
50	M12	125	–	11	2,0	17	–	18	156	22593.0410	
60	M 8	40	–	11	2,0	17	–	13	90	22593.0415	
60	M 8	50	–	11	2,0	17	–	13	91	22593.0420	
60	M 8	63	–	11	2,0	17	–	13	98	22593.0425	
60	M10	50	–	11	2,0	17	–	16	110	22593.0430	
60	M10	60	–	11	2,0	17	–	16	110	22593.0435	
60	M10	80	–	11	2,0	17	–	16	122	22593.0440	
60	M10	100	–	11	2,0	17	–	16	132	22593.0445	
60	M12	60	–	11	2,0	17	–	18	129	22593.0450	
60	M12	80	–	11	2,0	17	–	18	143	22593.0455	
60	M12	100	–	11	2,0	17	–	18	158	22593.0460	
60	M12	125	–	11	2,0	17	–	18	177	22593.0465	
80	M 8	40	–	12	2,0	17	–	13	158	22593.0470	
80	M 8	50	–	12	2,0	17	–	13	164	22593.0475	
80	M 8	63	–	12	2,0	17	–	13	166	22593.0480	
80	M10	50	–	12	2,0	17	–	16	176	22593.0485	
80	M10	60	–	12	2,0	17	–	16	181	22593.0490	
80	M10	80	–	12	2,0	17	–	16	192	22593.0495	
80	M10	100	–	12	2,0	17	–	16	201	22593.0500	
80	M12	60	–	12	2,0	17	–	18	199	22593.0505	
80	M12	80	–	12	2,0	17	–	18	213	22593.0510	
80	M12	100	–	12	2,0	17	–	18	230	22593.0515	
80	M12	125	–	12	2,0	17	–	18	245	22593.0520	
avec filetage – croquis 2, acier											
40	M16	75	–	17	1,5	12	8	24	154	22593.0805	
40	M16	100	–	17	1,5	12	8	24	186	22593.0810	
40	M16	125	–	17	1,5	12	8	24	219	22593.0815	
40	M16	150	–	17	1,5	12	8	24	254	22593.0820	
40	M16	200	–	17	1,5	12	8	24	318	22593.0825	
50	M16	75	–	17	2,0	12	8	24	177	22593.0830	
50	M16	100	–	17	2,0	12	8	24	209	22593.0835	
50	M16	125	–	17	2,0	12	8	24	244	22593.0840	
50	M16	150	–	17	2,0	12	8	24	278	22593.0845	
50	M16	200	–	17	2,0	12	8	24	342	22593.0850	
60	M16	75	–	17	2,0	12	8	24	196	22593.0855	
60	M16	100	–	17	2,0	12	8	24	228	22593.0860	
60	M16	125	–	17	2,0	12	8	24	262	22593.0865	
60	M16	150	–	17	2,0	12	8	24	295	22593.0870	
60	M16	200	–	17	2,0	12	8	24	358	22593.0875	
80	M16	75	–	18	2,0	12	8	24	266	22593.0880	
80	M16	100	–	18	2,0	12	8	24	299	22593.0885	
80	M16	125	–	18	2,0	12	8	24	332	22593.0890	
80	M16	150	–	18	2,0	12	8	24	358	22593.0895	
80	M16	200	–	18	2,0	12	8	24	432	22593.0900	
80	M20	75	–	19	2,0	15	10	30	355	22593.0905	
80	M20	100	–	19	2,0	15	10	30	405	22593.0910	
80	M20	125	–	19	2,0	15	10	30	454	22593.0915	
80	M20	150	–	19	2,0	15	10	30	507	22593.0920	
80	M20	200	–	19	2,0	15	10	30	614	22593.0925	

d <sub>1</sub>	d <sub>2</sub>	Dimensions				t	SW <sub>1</sub>	SW <sub>2</sub>	SW <sub>3</sub>		Référence article
		l <sub>1</sub>	h <sub>2</sub>	l <sub>2</sub>	[mm]						
						[mm]	[mm]	[mm]	[g]		
80	M24	100	–	22	2,0	19	12	36	546	22593.0930	
80	M24	125	–	22	2,0	19	12	36	626	22593.0935	
80	M24	150	–	22	2,0	19	12	36	693	22593.0940	
80	M24	200	–	22	2,0	19	12	36	847	22593.0945	
<b>avec taraudage – croquis 3, acier</b>											
40	M 8	25	8	–	1,5	14	–	–	46	22593.1105	
40	M10	28	10	–	1,5	14	–	–	46	22593.1110	
40	M12	31	12	–	1,5	17	–	–	63	22593.1115	
40	M16	37	16	–	1,5	22	–	–	98	22593.1120	
50	M 8	25	8	–	2,0	14	–	–	69	22593.1125	
50	M10	28	10	–	2,0	14	–	–	67	22593.1130	
50	M12	32	12	–	2,0	17	–	–	84	22593.1135	
50	M16	37	16	–	2,0	22	–	–	121	22593.1140	
60	M 8	25	8	–	2,0	14	–	–	88	22593.1145	
60	M10	28	10	–	2,0	14	–	–	88	22593.1150	
60	M12	32	12	–	2,0	17	–	–	104	22593.1155	
60	M16	37	16	–	2,0	22	–	–	142	22593.1160	
80	M 8	26	8	–	2,0	14	–	–	156	22593.1165	
80	M10	29	10	–	2,0	14	–	–	159	22593.1170	
80	M12	32	12	–	2,0	17	–	–	173	22593.1175	
80	M16	38	16	–	2,0	22	–	–	209	22593.1180	
80	M20	45	20	–	2,0	27	–	–	268	22593.1185	
<b>avec filetage – croquis 1, inox</b>											
40	M 8	40	–	11	1,5	17	–	13	51	22593.1805	
40	M 8	50	–	11	1,5	17	–	13	51	22593.1810	
40	M 8	63	–	11	1,5	17	–	13	56	22593.1815	
40	M10	50	–	11	1,5	17	–	16	65	22593.1820	
40	M10	60	–	11	1,5	17	–	16	71	22593.1825	
40	M10	80	–	11	1,5	17	–	16	80	22593.1830	
40	M10	100	–	11	1,5	17	–	16	94	22593.1835	
40	M12	60	–	11	1,5	17	–	18	86	22593.1840	
40	M12	80	–	11	1,5	17	–	18	102	22593.1845	
40	M12	100	–	11	1,5	17	–	18	118	22593.1850	
40	M12	125	–	11	1,5	17	–	18	136	22593.1855	
50	M 8	40	–	11	2,0	17	–	13	70	22593.1860	
50	M 8	50	–	11	2,0	17	–	13	74	22593.1865	
50	M 8	63	–	11	2,0	17	–	13	77	22593.1870	
50	M10	50	–	11	2,0	17	–	16	87	22593.1875	
50	M10	60	–	11	2,0	17	–	16	91	22593.1880	
50	M10	80	–	11	2,0	17	–	16	103	22593.1885	
50	M10	100	–	11	2,0	17	–	16	113	22593.1890	
50	M12	60	–	11	2,0	17	–	18	109	22593.1895	
50	M12	80	–	11	2,0	17	–	18	110	22593.1900	
50	M12	100	–	11	2,0	17	–	18	139	22593.1905	
50	M12	125	–	11	2,0	17	–	18	156	22593.1910	
60	M 8	40	–	11	2,0	17	–	13	90	22593.1915	
60	M 8	50	–	11	2,0	17	–	13	91	22593.1920	
60	M 8	63	–	11	2,0	17	–	13	98	22593.1925	
60	M10	50	–	11	2,0	17	–	16	110	22593.1930	
60	M10	60	–	11	2,0	17	–	16	110	22593.1935	
60	M10	80	–	11	2,0	17	–	16	122	22593.1940	
60	M10	100	–	11	2,0	17	–	16	132	22593.1945	
60	M12	60	–	11	2,0	17	–	18	129	22593.1950	
60	M12	80	–	11	2,0	17	–	18	143	22593.1955	
60	M12	100	–	11	2,0	17	–	18	158	22593.1960	
60	M12	125	–	11	2,0	17	–	18	177	22593.1965	
80	M 8	40	–	12	2,0	17	–	13	158	22593.1970	
80	M 8	50	–	12	2,0	17	–	13	164	22593.1975	
80	M 8	63	–	12	2,0	17	–	13	166	22593.1980	
80	M10	50	–	12	2,0	17	–	16	176	22593.1985	
80	M10	60	–	12	2,0	17	–	16	181	22593.1990	
80	M10	80	–	12	2,0	17	–	16	192	22593.1995	

d <sub>1</sub>	d <sub>2</sub>	Dimensions				t	SW <sub>1</sub>	SW <sub>2</sub>	SW <sub>3</sub>		Référence article
		l <sub>1</sub>	h <sub>2</sub>	l <sub>2</sub>	[mm]						
80	M10	100	–	12	2,0	17	–	16	201	22593.2000	
80	M12	60	–	12	2,0	17	–	18	199	22593.2005	
80	M12	80	–	12	2,0	17	–	18	213	22593.2010	
80	M12	100	–	12	2,0	17	–	18	230	22593.2015	
80	M12	125	–	12	2,0	17	–	18	245	22593.2020	
<b>avec filetage – croquis 2, inox</b>											
40	M16	75	–	17	1,5	12	8	24	154	22593.2305	
40	M16	100	–	17	1,5	12	8	24	186	22593.2310	
40	M16	125	–	17	1,5	12	8	24	219	22593.2315	
40	M16	150	–	17	1,5	12	8	24	254	22593.2320	
40	M16	200	–	17	1,5	12	8	24	318	22593.2325	
50	M16	75	–	17	2,0	12	8	24	177	22593.2330	
50	M16	100	–	17	2,0	12	8	24	209	22593.2335	
50	M16	125	–	17	2,0	12	8	24	244	22593.2340	
50	M16	150	–	17	2,0	12	8	24	278	22593.2345	
50	M16	200	–	17	2,0	12	8	24	342	22593.2350	
60	M16	75	–	17	2,0	12	8	24	196	22593.2355	
60	M16	100	–	17	2,0	12	8	24	228	22593.2360	
60	M16	125	–	17	2,0	12	8	24	262	22593.2365	
60	M16	150	–	17	2,0	12	8	24	295	22593.2370	
60	M16	200	–	17	2,0	12	8	24	358	22593.2375	
80	M16	75	–	18	2,0	12	8	24	266	22593.2380	
80	M16	100	–	18	2,0	12	8	24	299	22593.2385	
80	M16	125	–	18	2,0	12	8	24	332	22593.2390	
80	M16	150	–	18	2,0	12	8	24	358	22593.2395	
80	M16	200	–	18	2,0	12	8	24	432	22593.2400	
80	M20	75	–	19	2,0	15	10	30	355	22593.2405	
80	M20	100	–	19	2,0	15	10	30	405	22593.2410	
80	M20	125	–	19	2,0	15	10	30	454	22593.2415	
80	M20	150	–	19	2,0	15	10	30	507	22593.2420	
80	M20	200	–	19	2,0	15	10	30	614	22593.2425	
80	M24	100	–	22	2,0	19	12	36	546	22593.2430	
80	M24	125	–	22	2,0	19	12	36	626	22593.2435	
80	M24	150	–	22	2,0	19	12	36	693	22593.2440	
80	M24	200	–	22	2,0	19	12	36	847	22593.2445	
<b>avec taraudage – croquis 3, inox</b>											
40	M 8	25	8	–	1,5	14	–	–	46	22593.2605	
40	M10	28	10	–	1,5	14	–	–	46	22593.2610	
40	M12	31	12	–	1,5	17	–	–	63	22593.2615	
40	M16	37	16	–	1,5	22	–	–	98	22593.2620	
50	M 8	25	8	–	2,0	14	–	–	69	22593.2625	
50	M10	28	10	–	2,0	14	–	–	67	22593.2630	
50	M12	32	12	–	2,0	17	–	–	84	22593.2635	
50	M16	37	16	–	2,0	22	–	–	121	22593.2640	
60	M 8	25	8	–	2,0	14	–	–	88	22593.2645	
60	M10	28	10	–	2,0	14	–	–	88	22593.2650	
60	M12	32	12	–	2,0	17	–	–	104	22593.2655	
60	M16	37	16	–	2,0	22	–	–	142	22593.2660	
80	M 8	26	8	–	2,0	14	–	–	156	22593.2665	
80	M10	29	10	–	2,0	14	–	–	159	22593.2670	
80	M12	32	12	–	2,0	17	–	–	173	22593.2675	
80	M16	38	16	–	2,0	22	–	–	209	22593.2680	
80	M20	45	20	–	2,0	27	–	–	268	22593.2685	

### Conformité

Pour obtenir les informations détaillées sur la conformité choisissez le numéro d'article souhaité.