

## Set Collars · with sensor adapter

EH 25070.



### Product Description

Clamping rings are provided with a fastening possibility for sensors, switches etc. Universal applicability, e.g. as a limit switch on a piston rod.  
Clamping ring made of stainless steel with strong clamping force.

### Material

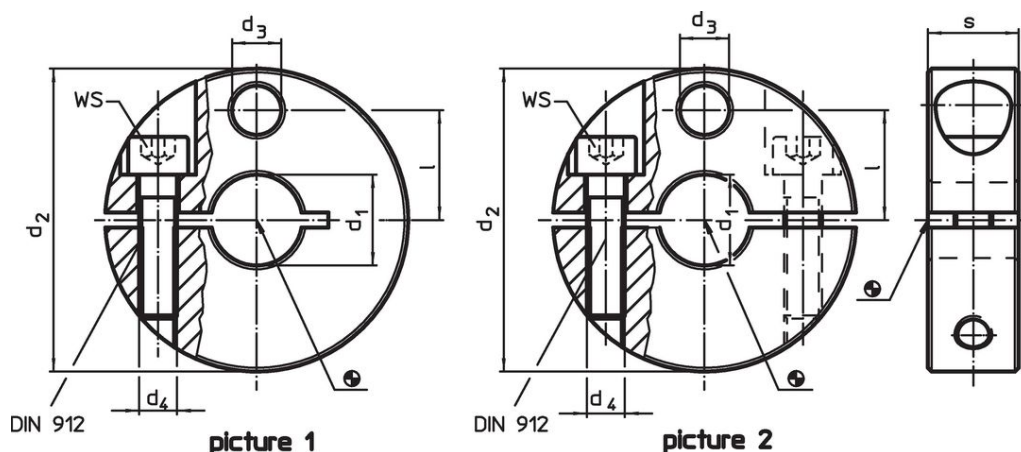
#### Screw

- Stainless steel

#### Set collar


- Stainless steel 1.4021

### Drawing

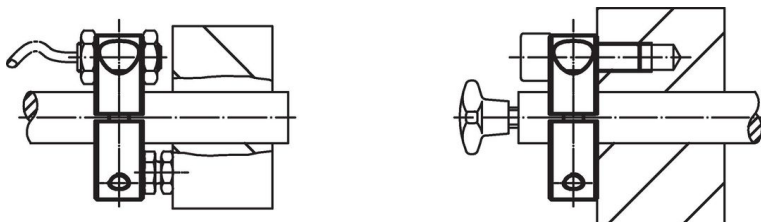
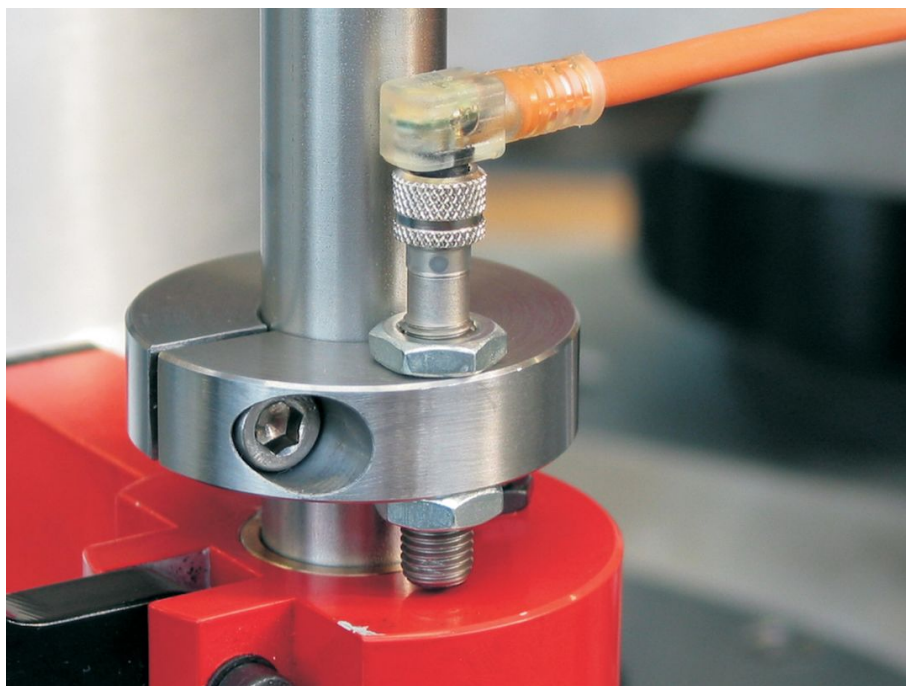


### Order information

d <sub>1</sub>		d <sub>2</sub>		Dimensions			WS	[g]	Art. No.
H8	-0.5	d <sub>3</sub>	d <sub>4</sub>	l	s	[mm]			
		[mm]							
<b>slotted – picture 1</b>									
10	40	6.5	M5	14.5	12	4	99	25070.0010	
12	40	6.5	M5	14.5	12	4	93	25070.0012	
14	45	9.0	M6	16.5	13	5	125	25070.0014	
15	45	9.0	M6	16.5	13	5	122	25070.0015	
16	45	9.0	M6	16.5	13	5	120	25070.0016	
18	50	9.0	M6	18.5	13	5	151	25070.0018	
20	50	9.0	M6	18.5	13	5	144	25070.0020	
22	65	13.0	M8	23.5	18	6	359	25070.0022	
24	65	13.0	M8	23.5	18	6	349	25070.0024	
25	65	13.0	M8	23.5	18	6	345	25070.0025	
30	75	13.0	M8	27.0	20	6	506	25070.0030	
32	80	13.0	M8	30.0	20	6	588	25070.0032	
35	80	13.0	M8	30.0	20	6	566	25070.0035	
<b>divided – picture 2</b>									
10	40	6.5	M5	14.5	12	4	94	25070.0110	
12	40	6.5	M5	14.5	12	4	90	25070.0112	
14	45	9.0	M6	16.5	13	5	114	25070.0114	
15	45	9.0	M6	16.5	13	5	112	25070.0115	
16	45	9.0	M6	16.5	13	5	110	25070.0116	
18	50	9.0	M6	18.5	13	5	142	25070.0118	
20	50	9.0	M6	18.5	13	5	139	25070.0120	
22	65	13.0	M8	23.5	18	6	341	25070.0122	
24	65	13.0	M8	23.5	18	6	330	25070.0124	

d <sub>1</sub> H8	d <sub>2</sub> -0.5	Dimensions				l	s	WS [mm]	 [g]	Art. No.
		d <sub>3</sub>	d <sub>4</sub>	[mm]						
25	65	13.0	M8	23.5	18	6	330	<a href="#">25070.0125</a>		
30	75	13.0	M8	27.0	20	6	488	<a href="#">25070.0130</a>		
32	80	13.0	M8	30.0	20	6	564	<a href="#">25070.0132</a>		
35	80	13.0	M8	30.0	20	6	542	<a href="#">25070.0135</a>		

**Application example**



**Compliance**

**RoHS compliant**

Compliant according to Directive 2011/65/EU and Directive 2015/863.

**Does not contain SVHC substances**

No SVHC substances with more than 0.1% w/w contained - SVHC list [REACH] as of 23.01.2024.

**Does not contain Proposition 65 substances**

No Proposition 65 substances included.  
<https://www.P65Warnings.ca.gov/>

**Free from Conflict Minerals**

This product does not contain any substances designated as "conflict minerals" such as tantalum, tin, gold or tungsten from the Democratic Republic of Congo or adjacent countries.