

Flat Knurled Nuts • DIN 467

EH 24760.



Product Description

Knurled nuts are very versatile. Three material versions for the different requirements

- Steel, blackened
- Steel, zinc-plated by galvanization
- Stainless steel

are available.

Knurled nuts can be easily tightened and released by hand. The ribbed outer surface of the nut prevents slipping when tightening / releasing with the fingers. The flat knurled nuts are manufactured according to DIN 467.

Material

- Steel, blackened, quality 5
- Steel, zinc-plated by galvanization, quality 5
- Stainless steel 1.4305, dull blasted

More information

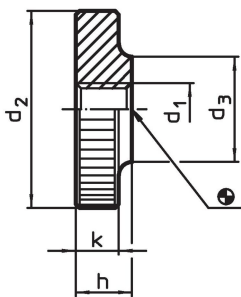
Notes

Knurling pitch and knurling depth may differ from DIN.

Further products

- High Knurled Nuts, DIN 466

Drawing



Order information

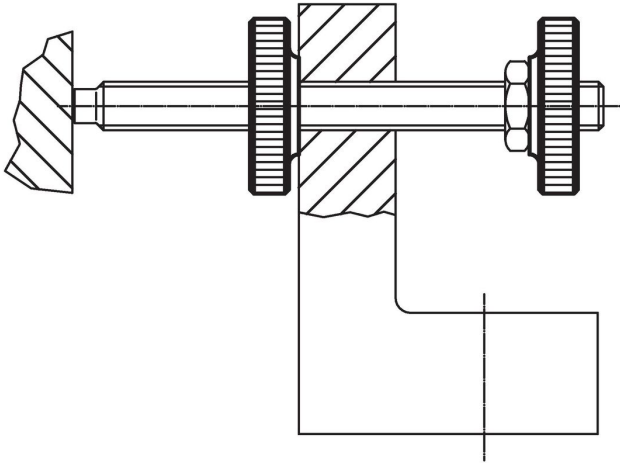
d ₁	d ₂	Dimensions			[g]	Art. No.
		d ₃ [mm]	h	k		
Steel, blackened						
M 3	12	6	3	2.5	2.1	24760.0030
M 4	16	8	4	3.5	5.1	24760.0040
M 5	20	10	5	4.0	9.4	24760.0050
M 6	24	12	6	5.0	17.0	24760.0060
M 8	30	16	8	6.0	32.0	24760.0080
M10	36	20	10	8.0	61.0	24760.0100
M12	40	22	12	10.0	92.0	24760.0120 ¹⁾
Steel, zinc-plated by galvanization						
M 3	12	6	3	2.5	2.0	24760.0430
M 4	16	8	4	3.5	5.0	24760.0440
M 5	20	10	5	4.0	9.0	24760.0450
M 6	24	12	6	5.0	17.0	24760.0460
M 8	30	16	8	6.0	32.0	24760.0480
M10	36	20	10	8.0	62.0	24760.0500
M12	40	22	12	10.0	92.0	24760.0512 ¹⁾

¹⁾ DIN standards do not include these dimensions.

d ₁	d ₂	Dimensions			k	[g]	Art. No.
		d ₃ [mm]	h				
Stainless steel 1.4305							
M 3	12	6	3	2.5	2.1	24760.0230	
M 4	16	8	4	3.5	5.1	24760.0240	
M 5	20	10	5	4.0	9.4	24760.0250	
M 6	24	12	6	5.0	17.0	24760.0260	
M 8	30	16	8	6.0	32.0	24760.0280	
M10	36	20	10	8.0	61.0	24760.0300	

¹⁾ DIN standards do not include these dimensions.

Application example



Compliance

For detailed compliance information please select the desired article number.