

Cylindrical Handles • rotating

EH 24530.



Product Description

Material

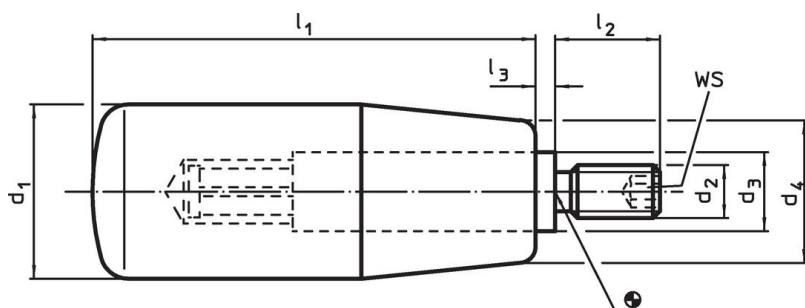
Axle part

- Steel, zinc-plated by galvanization
- Stainless steel 1.4305

Cylindrical handle

- Thermoplastic PA, black, dull
- Thermosetting plastic PF 31, black

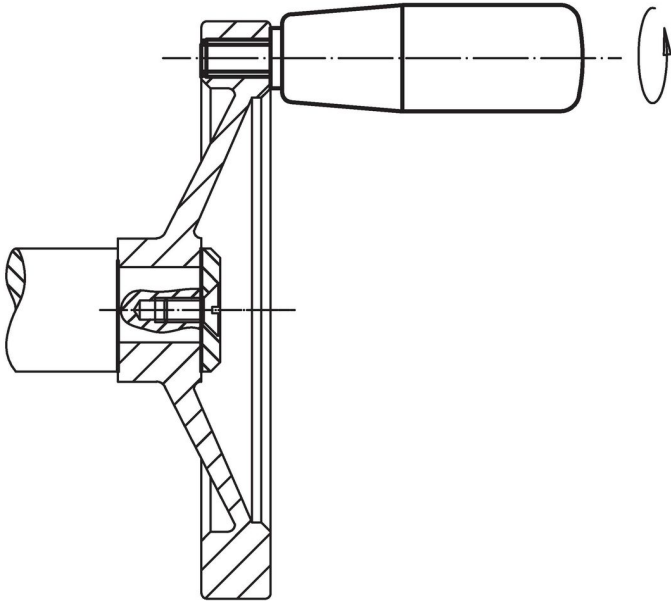
Drawing



Order information

Dimensions							WS	max.		Art. No.
d ₁	d ₂	d ₃	d ₄	l ₁	l ₂	l ₃	[mm]	[°C]	[g]	
							[mm]			
Thermoplastic, Steel										
14	M 6	8	11	28	10	0.5	3	80	13	24530.0008
Thermosetting plastic, Steel										
18	M 6	10	15	40	12	2.5	3	110	29	24530.0010
21	M 6	10	17	50	13	2.5	3	110	42	24530.0020
21	M 8	10	17	50	13	2.5	4	110	43	24530.0021
22	M 6	10	18	56	13	2.5	3	110	47	24530.0030
22	M 8	10	18	56	13	2.5	4	110	48	24530.0031
23	M 8	13	19	65	14	2.5	4	110	79	24530.0040
23	M10	13	19	65	14	2.5	5	110	80	24530.0041
26	M 8	13	21	80	16	2.5	4	110	107	24530.0050
26	M10	13	21	80	16	2.5	5	110	100	24530.0051
28	M10	13	22	90	16	2.5	5	110	126	24530.0060
31	M12	14	25	102	20	2.5	6	110	177	24530.0071
Thermosetting plastic, Stainless steel										
18	M 6	10	15	40	12	2.5	3	110	29	24530.0210
21	M 6	10	17	50	13	2.5	3	110	42	24530.0220
23	M 8	13	19	65	14	2.5	4	110	79	24530.0240
26	M10	13	21	80	16	2.5	5	110	100	24530.0251
28	M10	13	22	90	16	2.5	5	110	126	24530.0260
31	M12	14	25	102	20	2.5	6	110	177	24530.0271

Application example



Compliance

For detailed compliance information please select the desired article number.