

Clamping Nuts · welded, double-sided EH 24470.



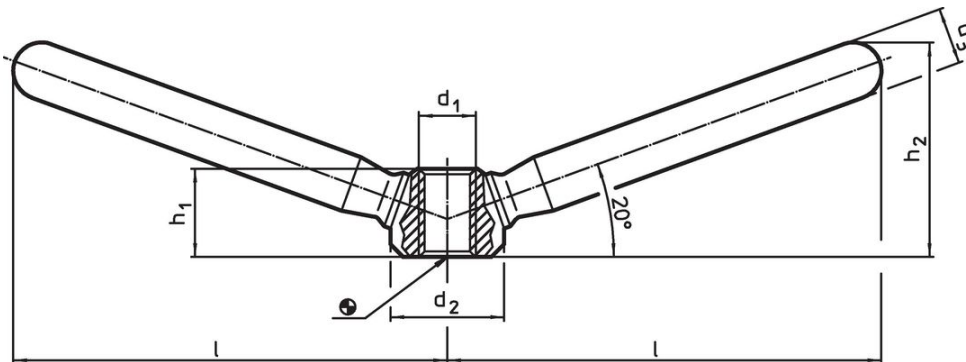
Product Description

Allows for two-handed operating.

Material

- Steel, zinc-plated by galvanization
- Stainless steel 1.4301, dull blasted

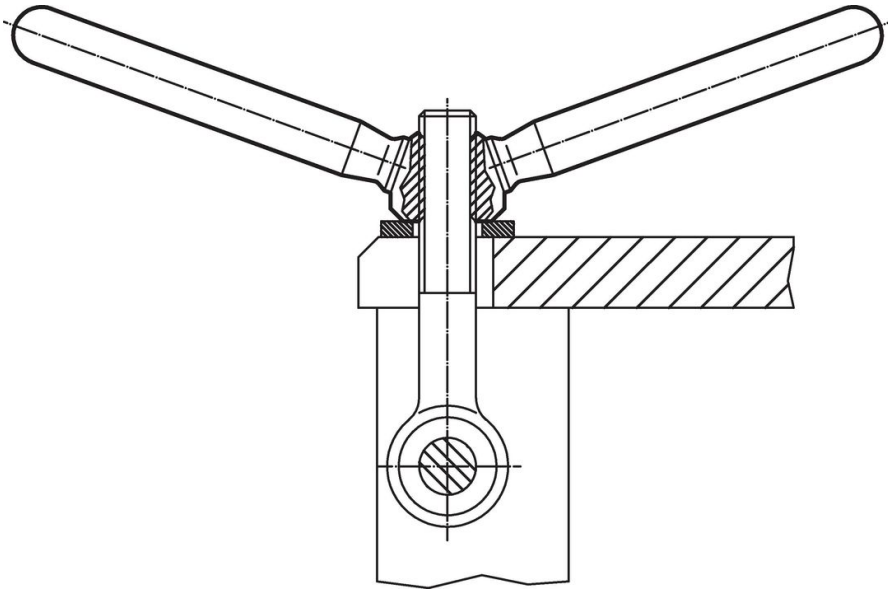
Drawing



Order information

l	d ₁	Dimensions			h ₁	h ₂	[g]	Art. No.
		d ₂	d ₃	[mm]				
Steel								
47.5	M 8	16	10	12.5	26	63	24470.0706	
59.5	M10	20	12	15.0	32	116	24470.0708	
75.5	M12	25	14	19.0	40	210	24470.0710	
94.5	M16	32	18	25.0	52	432	24470.0712	
118.0	M20	40	20	31.0	62	716	24470.0716	
Stainless steel								
47.5	M 8	16	10	12.5	26	63	24470.0806	
59.5	M10	20	12	15.0	32	116	24470.0808	
75.5	M12	25	14	19.0	40	210	24470.0810	
94.5	M16	32	18	25.0	52	432	24470.0812	
118.0	M20	40	20	31.0	62	716	24470.0816	

Application example



Compliance

For detailed compliance information please select the desired article number.