

Tension Levers

EH 24430.



Product Description

Material

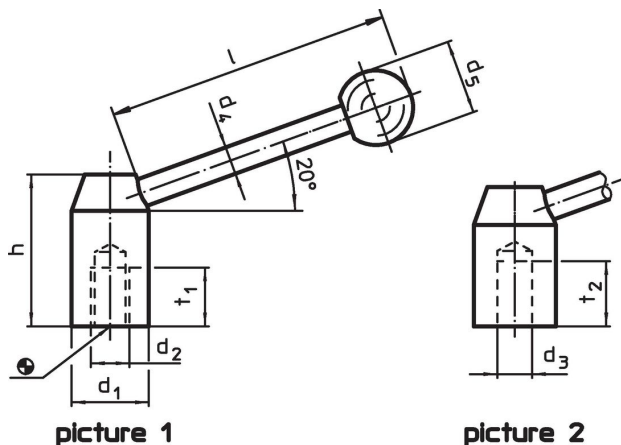
Lever

- Steel, blackened
- Stainless steel 1.4305, dull blasted

Ball knob

- Thermosetting plastic PF 31, black, DIN 319

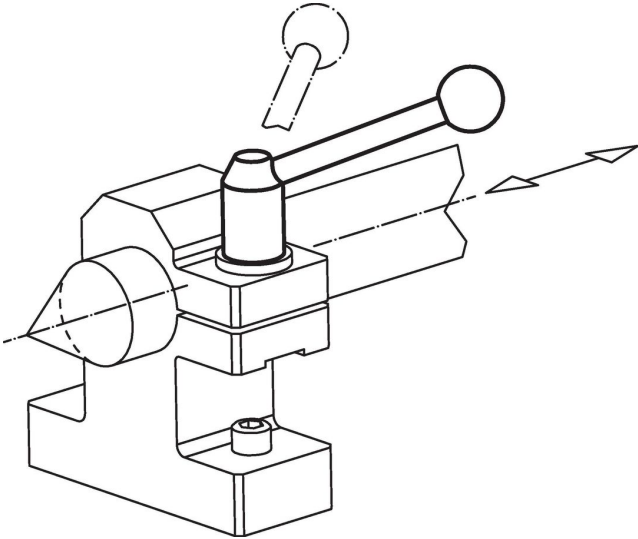
Drawing



Order information

| Dimensions | | | | | | | | | | Art. No. |
|--|----------------|----------------------|----------------|----------------|----|-----|----------------|----------------|-----|----------------------------|
| d ₁ | d ₂ | d ₃ H7 | d ₄ | d ₅ | h | l | t ₁ | t ₂ | [g] | |
| [mm] | | | | | | | | | | |
| with female thread – picture 1, Steel | | | | | | | | | | |
| 20 | M 8 | – | 8 | 20 | 33 | 67 | 15 | – | 97 | 24430.0022 |
| 22 | M10 | – | 8 | 20 | 37 | 85 | 15 | – | 115 | 24430.0032 |
| 25 | M12 | – | 10 | 25 | 42 | 95 | 18 | – | 165 | 24430.0038 |
| 28 | M12 | – | 12 | 30 | 47 | 108 | 18 | – | 262 | 24430.0042 |
| 32 | M16 | – | 12 | 32 | 52 | 126 | 23 | – | 354 | 24430.0048 |
| 36 | M16 | – | 14 | 35 | 58 | 138 | 24 | – | 519 | 24430.0052 |
| 40 | M20 | – | 16 | 40 | 64 | 154 | 27 | – | 708 | 24430.0058 |
| with smooth bore – picture 2, Steel | | | | | | | | | | |
| 20 | – | 10 | 8 | 20 | 33 | 67 | – | 16 | 85 | 24430.0020 |
| 22 | – | 10 | 8 | 20 | 37 | 85 | – | 19 | 113 | 24430.0030 |
| 25 | – | 12 | 10 | 25 | 42 | 95 | – | 21 | 170 | 24430.0035 |
| 28 | – | 12 | 12 | 30 | 47 | 108 | – | 23 | 268 | 24430.0040 |
| 32 | – | 16 | 12 | 32 | 52 | 126 | – | 28 | 351 | 24430.0045 |
| 36 | – | 16 | 14 | 35 | 58 | 138 | – | 28 | 524 | 24430.0050 |
| 40 | – | 20 | 16 | 40 | 64 | 154 | – | 30 | 706 | 24430.0055 |
| with female thread – picture 1, Stainless steel | | | | | | | | | | |
| 22 | M 8 | – | 8 | 20 | 37 | 85 | 15 | – | 121 | 24430.0230 |
| 25 | M10 | – | 10 | 25 | 42 | 95 | 18 | – | 186 | 24430.0236 |
| 28 | M12 | – | 12 | 30 | 47 | 108 | 18 | – | 262 | 24430.0242 |
| 32 | M16 | – | 12 | 32 | 52 | 126 | 23 | – | 354 | 24430.0248 |

Application example



Compliance

For detailed compliance information please select the desired article number.