

Tubular Handles • straight, front mounting

EH 24321.



Product Description

Tubular handles are used, for example, on machine doors.

Material

Handle

- Zinc die-cast, plastic coated, silver, similar to RAL 9006, matt structure
- Zinc die-cast, plastic coated, black, similar to RAL 9005, matt structure

Handle shank

- Aluminium, anodised
- Aluminium, plastic coated, similar to RAL 9005 black, matt structure

Cap

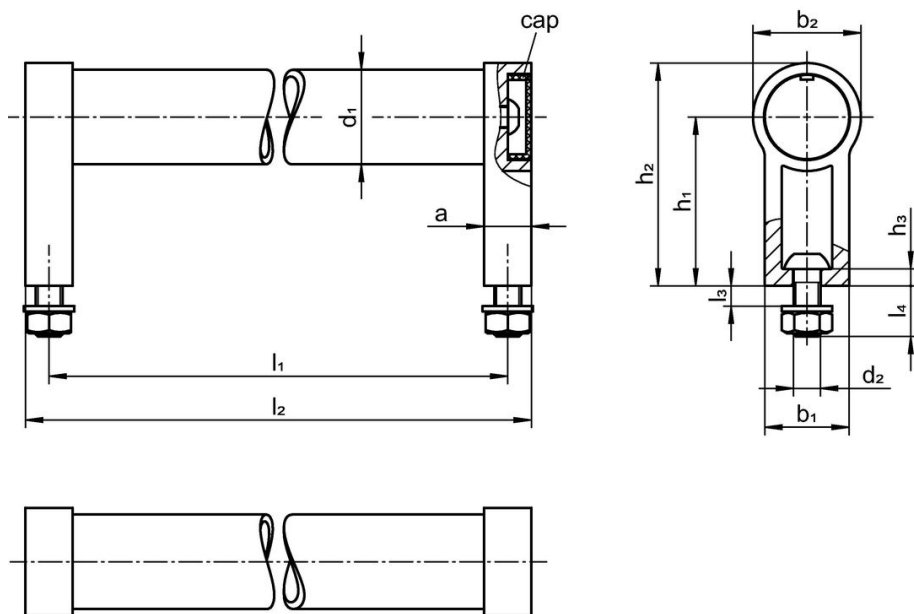
- Plastic, light grey

More information

Notes

Special types on request.

Drawing



Order information

d ₁	l ₁ ±0.25	a	Dimensions					[g]	Art. No.
			b ₁	d ₂	h ₁	h ₂	l ₂		
[mm]									
silver similar to RAL 9006									
28	200	14	25	M6	50	66	214	320	24321.0700
28	250	14	25	M6	50	66	264	320	24321.0705
28	300	14	25	M6	50	66	314	360	24321.0710
28	350	14	25	M6	50	66	364	400	24321.0715
28	400	14	25	M6	50	66	414	440	24321.0720
28	500	14	25	M6	50	66	514	480	24321.0725
28	600	14	25	M6	50	66	614	500	24321.0730
black similar to RAL 9005									
28	200	14	25	M6	50	66	214	300	24321.0800
28	250	14	25	M6	50	66	264	360	24321.0805
28	300	14	25	M6	50	66	314	360	24321.0810

d ₁	l ₁ ±0.25	a	Dimensions					[g]	Art. No.
			b ₁	d ₂	h ₁	h ₂	l ₂		
[mm]									
28	350	14	25	M6	50	66	364	380	24321.0815
28	400	14	25	M6	50	66	414	440	24321.0820
28	500	14	25	M6	50	66	514	480	24321.0825
28	600	14	25	M6	50	66	614	500	24321.0830

Compliance

RoHS compliant

Compliant according to Directive 2011/65/EU and Directive 2015/863.

Does not contain SVHC substances

No SVHC substances with more than 0.1% w/w contained - SVHC list [REACH] as of 27.06.2024.

Does not contain Proposition 65 substances

No Proposition 65 substances included.

<https://www.P65Warnings.ca.gov/>

Free from Conflict Minerals

This product does not contain any substances designated as "conflict minerals" such as tantalum, tin, gold or tungsten from the Democratic Republic of Congo or adjacent countries.