

## U-Handles · with support washer

EH 24310.



### Product Description

U-handles are used, for example, on machine doors, furniture doors, cabinet doors, drawers and drawer units.

These rounded U-handles are characterised by their ergonomic and stable construction and their simple and timeless design.

### Material

#### Handle

- Steel, chromium-plated
- Steel, plastic coated, black
- Stainless steel 1.4305, dull blasted

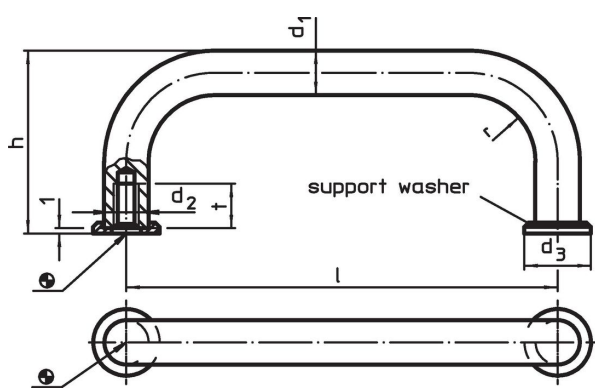
#### Support washer

- Zinc die-cast, nickel-plated
- Stainless steel

### Assembly


The supporting washer provides a good bearing surface. Suitable washers are joined in loose form.

### Drawing



### Order information

d <sub>1</sub>	l ±0.5	d <sub>2</sub>	Dimensions				t min.	[g]	Art. No.
			d <sub>3</sub>	h	r	[mm]			
<b>Steel, chromium-plated</b>									
8	55	M4	12	35	10	8	41	<a href="#">24310.0010</a>	
8	64	M4	12	35	10	8	44	<a href="#">24310.0020</a>	
8	88	M4	12	35	10	8	54	<a href="#">24310.0030</a>	
8	96	M4	12	35	10	8	57	<a href="#">24310.0040</a>	
8	100	M4	12	35	10	8	60	<a href="#">24310.0050</a>	
8	120	M4	12	35	10	8	66	<a href="#">24310.0060</a>	
8	128	M4	12	35	10	8	69	<a href="#">24310.0110</a>	
10	88	M5	15	43	12	12	91	<a href="#">24310.0120</a>	
10	100	M5	15	43	12	12	98	<a href="#">24310.0130</a>	
10	120	M5	15	43	12	12	109	<a href="#">24310.0140</a>	
10	180	M5	15	43	12	12	146	<a href="#">24310.0150</a>	
10	200	M5	15	43	12	12	161	<a href="#">24310.0160</a>	
10	235	M5	15	43	12	12	183	<a href="#">24310.0170</a>	
<b>Steel, plastic coated, black</b>									
6	32	M3	9	26	7	7	20	<a href="#">24310.0205</a>	
6	45	M3	9	26	7	7	21	<a href="#">24310.0215</a>	
6	55	M3	9	26	7	7	22	<a href="#">24310.0225</a>	
6	64	M3	9	26	7	7	24	<a href="#">24310.0235</a>	
6	88	M3	9	26	7	7	29	<a href="#">24310.0245</a>	
8	55	M4	12	35	10	8	41	<a href="#">24310.0310</a>	
8	64	M4	12	35	10	8	44	<a href="#">24310.0320</a>	
8	88	M4	12	35	10	8	54	<a href="#">24310.0330</a>	
8	96	M4	12	35	10	8	57	<a href="#">24310.0340</a>	

d <sub>1</sub>	l ±0.5	d <sub>2</sub>	Dimensions				t min.	 [g]	Art. No.
			d <sub>3</sub>	h	r	[mm]			
8	100	M4	12	35	10	8	60	<a href="#">24310.0350</a>	
8	120	M4	12	35	10	8	66	<a href="#">24310.0360</a>	
8	128	M4	12	35	10	8	69	<a href="#">24310.0410</a>	
10	88	M5	15	43	12	12	91	<a href="#">24310.0420</a>	
10	100	M5	15	43	12	12	98	<a href="#">24310.0430</a>	
10	120	M5	15	43	12	12	109	<a href="#">24310.0440</a>	
10	180	M5	15	43	12	12	146	<a href="#">24310.0450</a>	
10	200	M5	15	43	12	12	161	<a href="#">24310.0460</a>	
10	235	M5	15	43	12	12	183	<a href="#">24310.0470</a>	
<b>Stainless steel 1.4305</b>									
6	32	M3	9	26	7	7	20	<a href="#">24310.0210</a>	
6	45	M3	9	26	7	7	21	<a href="#">24310.0220</a>	
6	55	M3	9	26	7	7	22	<a href="#">24310.0230</a>	
6	64	M3	9	26	7	7	24	<a href="#">24310.0240</a>	
6	88	M3	9	26	7	7	29	<a href="#">24310.0250</a>	
8	55	M4	12	35	10	8	41	<a href="#">24310.0510</a>	
8	64	M4	12	35	10	8	44	<a href="#">24310.0520</a>	
8	88	M4	12	35	10	8	54	<a href="#">24310.0530</a>	
8	96	M4	12	35	10	8	57	<a href="#">24310.0540</a>	
8	100	M4	12	35	10	8	60	<a href="#">24310.0550</a>	
8	120	M4	12	35	10	8	66	<a href="#">24310.0560</a>	
8	128	M4	12	35	10	8	69	<a href="#">24310.0610</a>	
10	88	M5	15	43	12	12	91	<a href="#">24310.0620</a>	
10	100	M5	15	43	12	12	98	<a href="#">24310.0630</a>	
10	120	M5	15	43	12	12	109	<a href="#">24310.0640</a>	
10	180	M5	15	43	12	12	146	<a href="#">24310.0650</a>	
10	200	M5	15	43	12	12	161	<a href="#">24310.0660</a>	
10	235	M5	15	43	12	12	183	<a href="#">24310.0670</a>	

### Compliance

For detailed compliance information please select the desired article number.