

Retaining Latches · double-sided

EH 24100.



Product Description

To be used for door locking, drawers and as handling aid etc.
The retaining catch is indexing 4 x 90°.

Material

Lever

- Zinc die-cast, silver, similar to RAL 9006
- Zinc die-cast, black, similar to RAL 9005

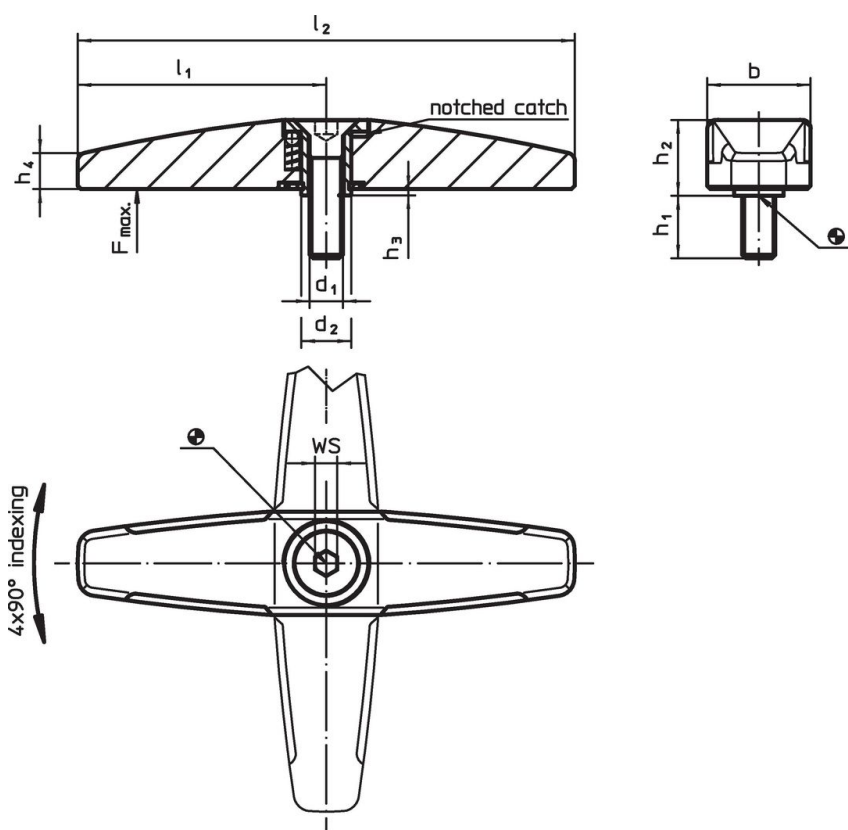
Inner parts

- Dry powdered metal

Screw

- Stainless steel A2 (ISO 10642)

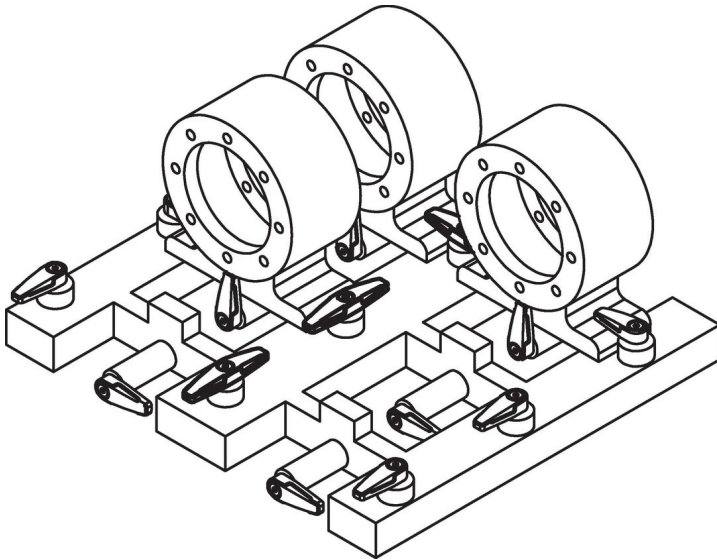
Drawing



Order information

d ₁	d ₂	l ₁	l ₂	Dimensions					WS	Load capacity max.	🔩	Art. No.
				b	h ₁	h ₂	h ₃	h ₄				
				[mm]					[mm]	[N]	[g]	
silver												
M6	9	45	90	19.0	12	13.3	0.8	6.5	4	500	94	24100.0601
M8	14	65	130	25.2	14	15.8	0.8	9.0	5	1000	225	24100.0651
black												
M6	9	45	90	19.0	12	13.3	0.8	6.5	4	500	94	24100.0602
M8	14	65	130	25.2	14	15.8	0.8	9.0	5	1000	225	24100.0652

Application example



Compliance

RoHS compliant

Compliant according to Directive 2011/65/EU and Directive 2015/863.

Does not contain SVHC substances

No SVHC substances with more than 0.1% w/w contained - SVHC list [REACH] as of 27.06.2024.

Does not contain Proposition 65 substances

No Proposition 65 substances included.

<https://www.P65Warnings.ca.gov/>

Free from Conflict Minerals

This product does not contain any substances designated as "conflict minerals" such as tantalum, tin, gold or tungsten from the Democratic Republic of Congo or adjacent countries.