

## Base Elements • swivelling

EH 23700.



### Product Description

#### Material

##### Body

- Steel, blackened

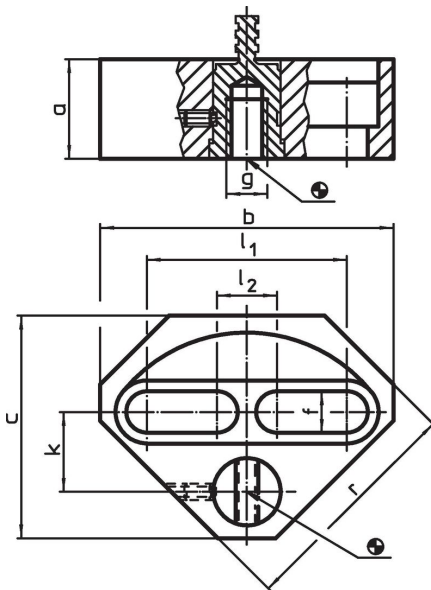
##### Wearing parts

- Heat-treated steel

##### Pull-rod

- Special steel

### Drawing



### Order information

a	b	c	Dimensions						[g]	Art. No.
			f	g	k	l <sub>1</sub>	l <sub>2</sub>	r		
29.7	90	70	12.5	M12	24	57	25	73	758	<a href="#">23700.0412</a>
39.7	110	86	17.0	M16	30	71	31	90	1507	<a href="#">23700.0416</a>

## Application example



## Compliance

### RoHS compliant

Compliant according to Directive 2011/65/EU and Directive 2015/863.

### Does not contain SVHC substances

No SVHC substances with more than 0.1% w/w contained - SVHC list [REACH] as of 23.01.2024.

### Does not contain Proposition 65 substances

No Proposition 65 substances included.

<https://www.P65Warnings.ca.gov/>

### Free from Conflict Minerals

This product does not contain any substances designated as "conflict minerals" such as tantalum, tin, gold or tungsten from the Democratic Republic of Congo or adjacent countries.