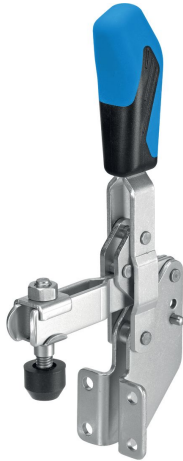


Vertical Toggle Clamps · with angle base

EH 23330.



Product Description

Due to their favourable power to movement ratio and their easy action the toggle clamps are versatile applicable for a wide range of uses.

These toggle clamps can be used in the metal working industry when drilling, welding, bending, grinding, testing and fitting as well as in the wood and plastic industry in glueing, drilling, cutting and milling jigs.

The "toggle" principle of the toggle clamp allows a large and quick opening of the clamp. If unclamped the workpieces are completely cleared for unimpeded removal. The large power transmission results maximum clamping force by low hand force. The clamps are self-arresting they remain locked, resisting the force produced when machining components.

The toggle clamps are manufactured from high quality components and are designed for continuous use.

A oil resistant ergonomic 2-component handle, with increased grip area with soft surface for high ease of use.

The quickly adjustable clamping screws are provided by a retainer.

Material

Clamp

- Steel, zinc-plated by galvanization, passivated

Rivet

- Stainless steel

Handle

- plastic

Clamping screw

- Steel, tempered, zinc-plated by galvanization

Clamping cap

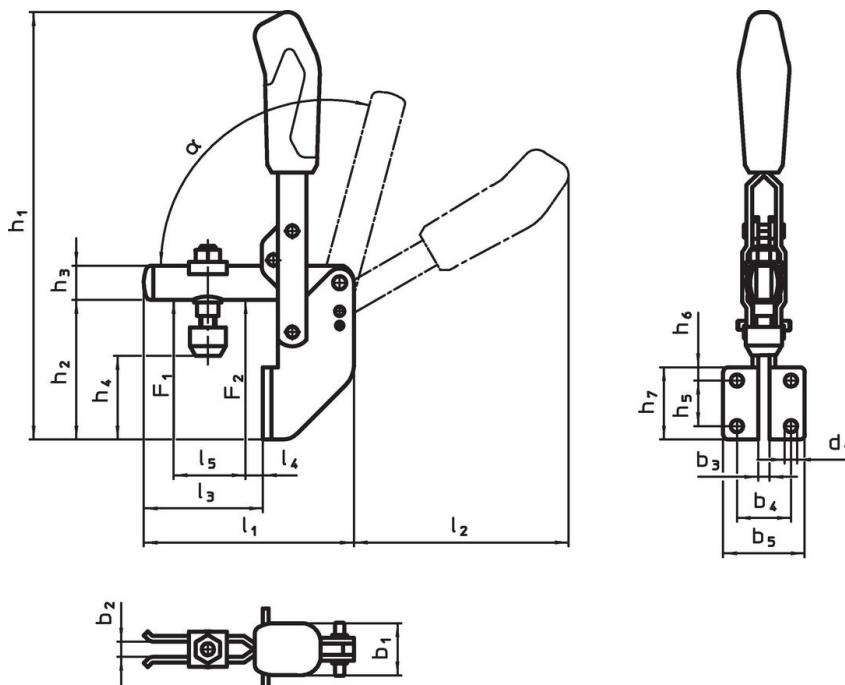
- Rubber, black

More information

References

Replacement clamping screws are available as accessories in the online shop.


Drawing



Order information

Nominal size	Clamping screw [mm]	Dimensions															Holding force		α	min. max.		[g]	Art. No.				
		d ₁	b ₁	b ₂	b ₃	b ₄	b ₅	h ₁	h ₂	h ₃	h ₄ min.	h ₄ max.	h ₅	h ₆	h ₇	l ₁	l ₂	l ₃		l ₄	l ₅			F ₁	F ₂	[kN]	[°C]
Steel																											
3	M6 x 35	5.5	21	6	5	25.5	37.0	176.5	60	12	34	41.5	20	6	32	77	81	41	6	25	1.0	1.2	60°	-10	80	231	23330.0023
4	M8 x 45	6.5	27	8	6	28.5	42.5	223.0	71	18	40	48.5	24	7	38	111	112	63	11	37	1.4	2.5	60°	-10	80	483	23330.0024
5	M8 x 65	8.5	35	10	8	32.0	52.0	280.0	102	20	53	81.5	32	54	96	141	129	84	11	54	2.0	3.0	60°	-10	80	802	23330.0025

Accessories

	d ₂	[g]	Art. No.
	[mm]		
Clamping screw (spare part of toggle clamp)			
	M6 x 35	16	23330.9003
	M8 x 45	38	23330.9005
	M8 x 65	57	23330.9006

Compliance

For detailed compliance information please select the desired article number.