

Stops · cylindrical EH 23280.



Product Description

The T-slot guide enables a quick and precise location of the workpiece. The cylindrical form of the stop facilitates to determine the 0-point coordinate. The short form, which is ground to a height tolerance of $\pm 0,01$ mm, can also be used for locating.

Material

Stop

- Steel, case-hardened, ground

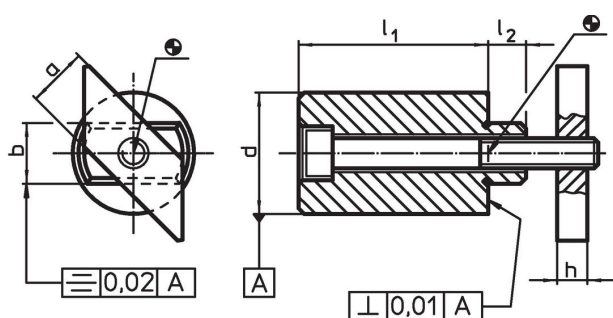
Holding plate

- Steel, blackened

Screw

- Steel, quality 8.8 (ISO 4762)

Drawing



Order information

T-slot size [mm]	Dimensions						Screw ISO 4762 [mm]	🔩 [g]	Art. No.
	l_1	a -0.6	b h6	d ± 0.01	h	l_2			
10	15 ± 0.01	10	10	20	6	8	M 6 x 25	53	23280.0110
10	25 ± 0.20	10	10	20	6	8	M 6 x 35	76	23280.0210
12	15 ± 0.01	12	12	20	6	8	M 6 x 25	59	23280.0112
12	25 ± 0.20	12	12	20	6	8	M 6 x 35	82	23280.0212
14	25 ± 0.01	14	14	32	8	9	M 8 x 35	203	23280.0114
14	50 ± 0.20	14	14	32	8	9	M 8 x 60	354	23280.0214
16	25 ± 0.01	16	16	32	8	10	M 8 x 45	221	23280.0116
16	50 ± 0.20	16	16	32	8	10	M 8 x 70	378	23280.0216
18	25 ± 0.01	18	18	40	10	15	M10 x 50	367	23280.0118
18	50 ± 0.20	18	18	40	10	15	M10 x 75	615	23280.0218
22	25 ± 0.01	20	22	40	14	15	M10 x 55	440	23280.0122
22	50 ± 0.20	20	22	40	14	15	M10 x 80	716	23280.0222
28	25 ± 0.01	22	28	46	16	20	M12 x 60	661	23280.0128
28	50 ± 0.20	22	28	46	16	20	M12 x 90	1259	23280.0228

Application example



Compliance

RoHS compliant

Contains lead - compliant according to exceptions 6a / 6b / 6c.

Contains SVHC substances >0,1% w/w

Contains lead - SVHC list [REACH] as of 23.01.2024.

Contains Proposition 65 substances



Lead can cause cancer and reproductive harm from exposure
<https://www.P65Warnings.ca.gov/>

Free from Conflict Minerals

This product does not contain any substances designated as "conflict minerals" such as tantalum, tin, gold or tungsten from the Democratic Republic of Congo or adjacent countries.