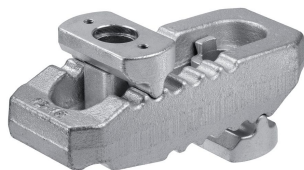


## Clamps · slotted, with adjustable counter piece

EH 23185.



### Product Description

The thrust pad and the counter element are connected with the clamp and therefore secured against loss. Consequently, the clamp is quickly ready for use. The clamp is equipped with two flat noses and can be turned around depending on the case of application.

### Material

- Steel, tempered, zinc-plated by galvanization

### More information

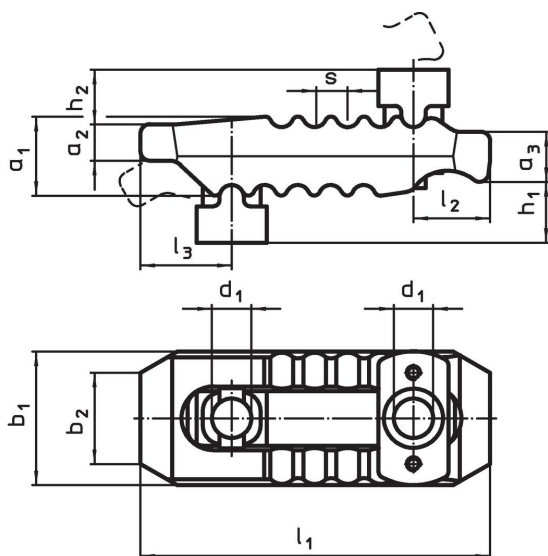
### References

Larger clamping heights can be reached by the use of a support extension (EH 23185.). T-bolts DIN 787 (EH 23030.) or alternatively studs DIN 6379 (EH 23040.) can be used for the clamping.


### Further products

- Support Extensions, for straight clamps, slotted, with adjustable counter piece

### Drawing



### Order information

Nominal dimension $d_1$ [mm]	Dimensions											T-slot size [mm]	Clamping force <sup>1)</sup> max. [kN]	 [g]	Art. No.
	$h_1$	$h_2$	$a_1$	$a_2$	$a_3$	$b_1$	$b_2$	$l_1$	$l_2$	$l_3$	$s$				
13	0 – 55	18	27	12	17	44	30	115	25	30	11	10, 12, 14	30	650	<a href="#">23185.0013</a>
17	0 – 70	20	36	17	21	55	41	150	35	36	12	12, 14, 16, 18	40	1382	<a href="#">23185.0017</a>
21	0 – 80	30	42	20	27	62	30	187	44	44	14	16, 18, 20, 22	60	2241	<a href="#">23185.0021</a>
25	0 – 100	31	51	24	34	70	30	235	60	47	17	20, 22, 24, 28	75	3479	<a href="#">23185.0025</a>
25	0 – 100	35	56	24	35	73	30	285	62	51	17	20, 22, 24, 28	75	4282	<a href="#">23185.0026</a>

<sup>1)</sup> stated clamping forces in optimal clamping position (smallest distance of the socket head screw to the clamping position). Clamping forces can vary depending on clamping, strength class of the socket head screw and condition of the thread (lubrication).

## Application example



## Compliance

### RoHS compliant

Compliant according to Directive 2011/65/EU and Directive 2015/863.

### Does not contain SVHC substances

No SVHC substances with more than 0.1% w/w contained - SVHC list [REACH] as of 27.06.2024.

### Does not contain Proposition 65 substances

No Proposition 65 substances included.

<https://www.P65Warnings.ca.gov/>

### Free from Conflict Minerals

This product does not contain any substances designated as "conflict minerals" such as tantalum, tin, gold or tungsten from the Democratic Republic of Congo or adjacent countries.