

Low Slot Tenons

EH 23130.



Product Description

To be used for locating fixtures and clamping elements onto machine tables with T-slots to DIN 650.

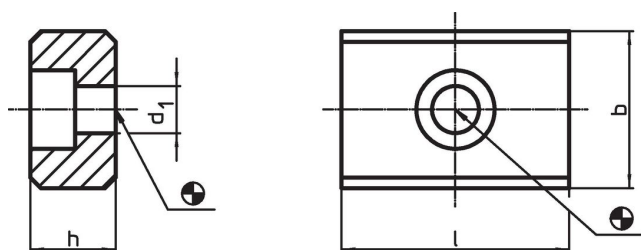
Material

- Steel, case-hardened, blackened, ground

Assembly

They are bolted into the alignment slots of the fixture. Low slot tenons are suitable for use where a fixture will only be used on machines having an identical slot width.

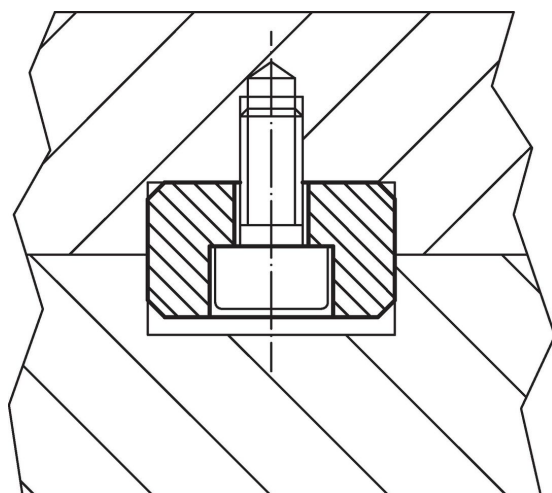
Drawing



Order information

b h6	h	Dimensions		d ₁	For screws ISO 4762 [mm]	[g]	Art. No.
		l	[mm]				
10	8	20		4.5	M4	11	23130.0010
12	8	20		5.5	M5	11	23130.0012
14	10	22		6.6	M6	18	23130.0014
16	10	22		6.6	M6	22	23130.0016
18	10	22		6.6	M6	25	23130.0018
20	10	22		6.6	M6	29	23130.0020
22	12	32		6.6	M6	60	23130.0022
24	12	32		6.6	M6	65	23130.0024

Application example



Compliance

RoHS compliant

Compliant according to Directive 2011/65/EU and Directive 2015/863.

Does not contain SVHC substances

No SVHC substances with more than 0.1% w/w contained - SVHC list [REACH] as of 23.01.2024.

Does not contain Proposition 65 substances

No Proposition 65 substances included.

<https://www.P65Warnings.ca.gov/>

Free from Conflict Minerals

This product does not contain any substances designated as "conflict minerals" such as tantalum, tin, gold or tungsten from the Democratic Republic of Congo or adjacent countries.