

## Rod Ends · DIN 12240-4, with male thread EH 22982.



### Product Description

Rod ends are suitable for universal use in applications subject to dynamic loads. As well as use in corrosion-risk areas, the design in stainless steel can also be used under higher dynamic loads. Rod ends are used for bearings where movements between shaft and housing are necessary, and where the movements are not in a straight line.

Rod ends are ready-to-install elements manufactured to DIN ISO 12240-4 (dimension series K). The PTFE fabric inserted into the bearing shell means that the rod ends are maintenance-free. **Please take note of the technical information which follows these product pages.**

### Material

#### Body

- Free cutting steel, turned, zinc-plated
- Stainless steel 1.4057, forged, polished

#### Joint ball

- Roller bearing steel, hardened, ground, polished
- Stainless steel 1.4034, hardened, ground, polished

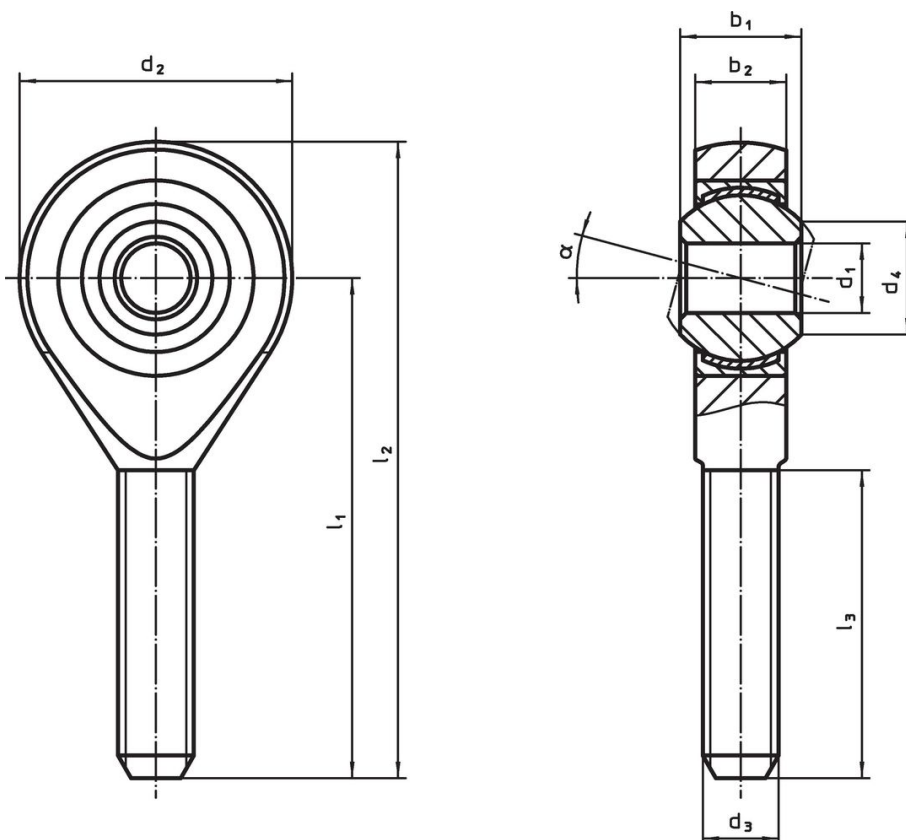
#### Bearing

- PTFE fabric



#### Bearing shell

- Free cutting steel, zinc-plated by galvanization
- Stainless steel 1.4571

### Drawing



## Order information

Dimensions									$\alpha$	Dynamic carrying figure C	Static carrying figure C <sub>0</sub>	 min.   max.		 [g]	Art. No.	
d <sub>1</sub>	l <sub>1</sub>	b <sub>1</sub>	b <sub>2</sub>	d <sub>2</sub>	d <sub>3</sub>	d <sub>4</sub>	l <sub>2</sub>	l <sub>3</sub>				[°C]				
[mm]										[kN]	[kN]					
<b>right hand thread, Free cutting steel</b>																
5	33	8	6.00	18	M 5	7.7	42	19	13°	7.5	4.3	-50	150	14	<a href="#">22982.0102</a>	
6	36	9	6.75	20	M 6	8.9	46	21	13°	9.3	6.0	-50	150	20	<a href="#">22982.0104</a>	
8	42	12	9.00	24	M 8	10.4	54	25	14°	16.7	11.0	-50	150	38	<a href="#">22982.0106</a>	
10	48	14	10.50	28	M10	12.9	62	28	13°	23.4	17.4	-50	150	62	<a href="#">22982.0108</a>	
12	54	16	12.00	32	M12	15.4	70	32	13°	32.0	23.5	-50	150	94	<a href="#">22982.0110</a>	
14	60	19	13.50	36	M14	16.8	78	38	16°	42.0	21.0	-50	150	135	<a href="#">22982.0112</a>	
16	66	21	15.00	42	M16	19.3	87	40	15°	52.5	32.0	-50	150	202	<a href="#">22982.0114</a>	
18	72	23	16.50	46	M18 x 1,5	21.8	95	44	15°	64.0	38.5	-50	150	270	<a href="#">22982.0116</a>	
20	78	25	18.00	50	M20 x 1,5	24.3	103	47	14°	78.0	44.0	-50	150	350	<a href="#">22982.0118</a>	
22	84	28	20.00	54	M22 x 1,5	25.8	111	51	15°	97.0	53.0	-50	150	459	<a href="#">22982.0120</a>	
25	94	31	22.00	60	M24 x 2	29.6	124	57	15°	122.0	61.0	-50	150	607	<a href="#">22982.0122</a>	
<b>right hand thread, Stainless steel</b>																
5	33	8	6.00	18	M 5	7.7	42	19	13°	7.5	6.2	-50	150	14	<a href="#">22982.0302</a>	
6	36	9	6.75	20	M 6	8.9	46	21	13°	9.3	8.8	-50	150	20	<a href="#">22982.0304</a>	
8	42	12	9.00	24	M 8	10.4	54	25	14°	16.7	16.1	-50	150	38	<a href="#">22982.0306</a>	
10	48	14	10.50	28	M10	12.9	62	28	13°	23.4	25.5	-50	150	62	<a href="#">22982.0308</a>	
12	54	16	12.00	32	M12	15.4	70	32	13°	32.0	34.5	-50	150	94	<a href="#">22982.0310</a>	
14	60	19	13.50	36	M14	16.8	78	38	16°	42.0	39.5	-50	150	135	<a href="#">22982.0312</a>	
16	66	21	15.00	42	M16	19.3	87	40	15°	52.5	60.5	-50	150	202	<a href="#">22982.0314</a>	
18	72	23	16.50	46	M18 x 1,5	21.8	95	44	15°	64.0	73.0	-50	150	270	<a href="#">22982.0316</a>	
20	78	25	18.00	50	M20 x 1,5	24.3	103	47	14°	78.0	83.0	-50	150	350	<a href="#">22982.0318</a>	
22	84	28	20.00	54	M22 x 1,5	25.8	111	51	15°	97.0	100.0	-50	150	459	<a href="#">22982.0320</a>	
25	94	31	22.00	60	M24 x 2	29.6	124	57	15°	122.0	118.0	-50	150	607	<a href="#">22982.0322</a>	
<b>left hand thread, Free cutting steel</b>																
5	33	8	6.00	18	M 5	7.7	42	19	13°	7.5	4.3	-50	150	14	<a href="#">22982.0124</a>	
6	36	9	6.75	20	M 6	8.9	46	21	13°	9.3	6.0	-50	150	20	<a href="#">22982.0126</a>	
8	42	12	9.00	24	M 8	10.4	54	25	14°	16.7	11.0	-50	150	39	<a href="#">22982.0128</a>	
10	48	14	10.50	28	M10	12.9	62	28	13°	23.4	17.4	-50	150	61	<a href="#">22982.0130</a>	
12	54	16	12.00	32	M12	15.4	70	32	13°	32.0	23.5	-50	150	93	<a href="#">22982.0132</a>	
14	60	19	13.50	36	M14	16.8	78	38	16°	42.0	21.0	-50	150	133	<a href="#">22982.0134</a>	
16	66	21	15.00	42	M16	19.3	87	40	15°	52.5	32.0	-50	150	202	<a href="#">22982.0136</a>	
18	72	23	16.50	46	M18 x 1,5	21.8	95	44	15°	64.0	38.5	-50	150	269	<a href="#">22982.0138</a>	
20	78	25	18.00	50	M20 x 1,5	24.3	103	47	14°	78.0	44.0	-50	150	347	<a href="#">22982.0140</a>	
22	84	28	20.00	54	M22 x 1,5	25.8	111	51	15°	97.0	53.0	-50	150	455	<a href="#">22982.0142</a>	
25	94	31	22.00	60	M24 x 2	29.6	124	57	15°	122.0	61.0	-50	150	604	<a href="#">22982.0144</a>	
<b>left hand thread, Stainless steel</b>																
5	33	8	6.00	18	M 5	7.7	42	19	13°	7.5	6.2	-50	150	14	<a href="#">22982.0324</a>	
6	36	9	6.75	20	M 6	8.9	46	21	13°	9.3	8.8	-50	150	20	<a href="#">22982.0326</a>	
8	42	12	9.00	24	M 8	10.4	54	25	14°	16.7	16.1	-50	150	39	<a href="#">22982.0328</a>	
10	48	14	10.50	28	M10	12.9	62	28	13°	23.4	25.5	-50	150	61	<a href="#">22982.0330</a>	
12	54	16	12.00	32	M12	15.4	70	32	13°	32.0	34.5	-50	150	93	<a href="#">22982.0332</a>	
14	60	19	13.50	36	M14	16.8	78	38	16°	42.0	39.5	-50	150	133	<a href="#">22982.0334</a>	
16	66	21	15.00	42	M16	19.3	87	40	15°	52.5	60.5	-50	150	202	<a href="#">22982.0336</a>	
18	72	23	16.50	46	M18 x 1,5	21.8	95	44	15°	64.0	73.0	-50	150	269	<a href="#">22982.0338</a>	
20	78	25	18.00	50	M20 x 1,5	24.3	103	47	14°	78.0	83.0	-50	150	347	<a href="#">22982.0340</a>	
22	84	28	20.00	54	M22 x 1,5	25.8	111	51	15°	97.0	100.0	-50	150	455	<a href="#">22982.0342</a>	
25	94	31	22.00	60	M24 x 2	29.6	124	57	15°	122.0	118.0	-50	150	604	<a href="#">22982.0344</a>	

## Compliance

For detailed compliance information please select the desired article number.