

Setting Dies • for Expander sealing plug

EH 22880.



Product Description

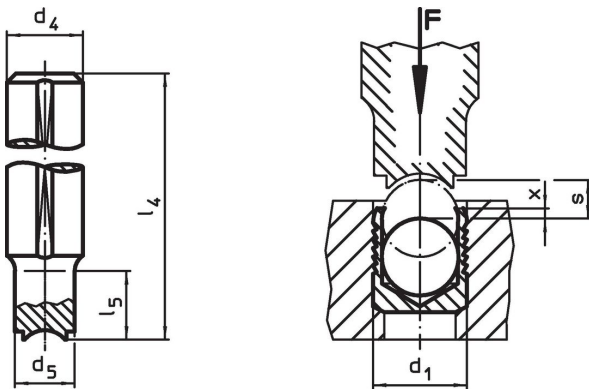
Expander® sealing plugs are used for safe, quick and economic sealing of bore holes in fluid technology, e.g. hydraulic drilling holes in jig and fixture construction. Assembly is effected by pressing in the sealing plug into the drilling hole by means of the prescribed setting die.

Please refer to the technical data following these product information pages.

Material

- Tool steel, heat-treated

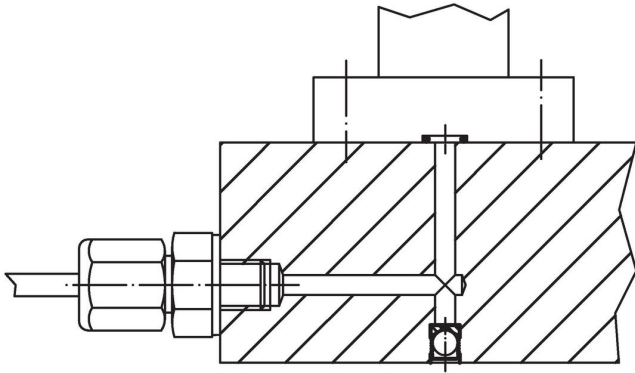
Drawing



Order information

d ₁	d ₄ h9	d ₅	Dimensions				s	[g]	Art. No.
			l ₄	l ₅	x ±0.2	[mm]			
3	10	2.8	100	10	0.4	1.20	53	22880.0153	
4	10	3.8	100	10	0.2	1.50	54	22880.0154	
5	10	4.8	100	12	0.4	2.00	53	22880.0155	
6	10	5.8	100	15	0.4	2.50	53	22880.0156	
7	10	6.8	100	18	0.4	3.00	54	22880.0157	
8	10	7.8	100	20	0.3	3.50	55	22880.0158	
9	14	8.8	100	22	0.4	4.00	102	22880.0159	
10	14	9.8	100	25	0.4	4.50	103	22880.0160	
12	14	11.7	150	30	0.4	5.50	167	22880.0162	
14	20	13.7	150	35	0.4	6.35	316	22880.0164	
16	20	15.7	150	40	0.6	7.00	326	22880.0166	
18	20	17.7	150	45	0.6	8.00	340	22880.0168	
20	25	19.7	150	50	0.8	9.00	495	22880.0170	
22	25	21.7	150	55	0.8	10.00	516	22880.0172	

Application example



Compliance

RoHS compliant

Compliant according to Directive 2011/65/EU and Directive 2015/863.

Does not contain SVHC substances

No SVHC substances with more than 0.1% w/w contained - SVHC list [REACH] as of 27.06.2024.

Does not contain Proposition 65 substances

No Proposition 65 substances included.

<https://www.P65Warnings.ca.gov/>

Free from Conflict Minerals

This product does not contain any substances designated as "conflict minerals" such as tantalum, tin, gold or tungsten from the Democratic Republic of Congo or adjacent countries.