

Locating Pins · with bore hole similar to DIN 6321 EH 22630.



Product Description

Cylindric locating pins for locating workpieces in toleranced holes and also to be used as stops and feet.
Flattened locating pins used to overcome differences in tolerances, between holes or to position an element in one direction only.
Apart from size 6 additional safety by fastening possibilities from up and down (can be used also for dismounting). The outer dimensions are similar to DIN 6321.

Material

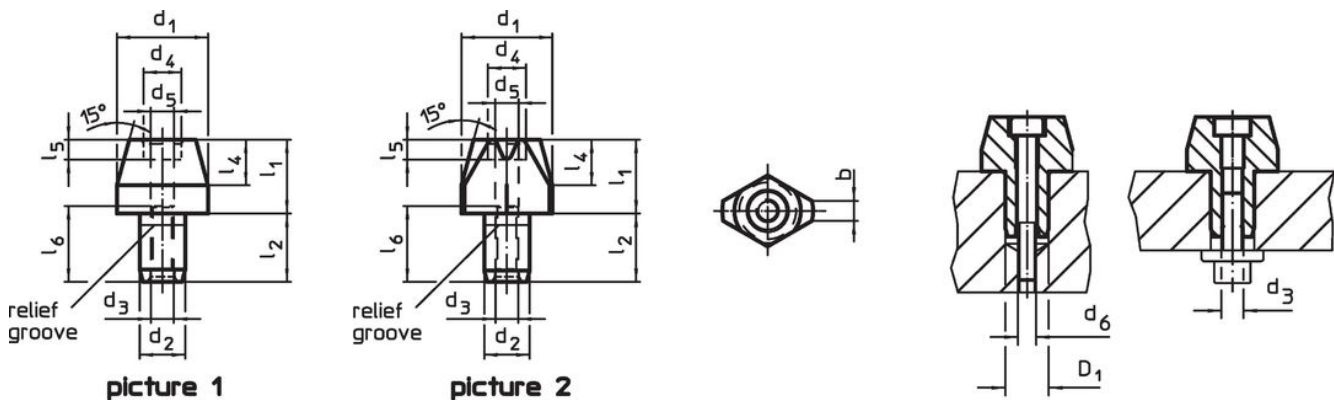
- Case-hardened steel, case-hardened, blackened and ground

More information

Further products

- Locating Pins, DIN 6321
- Locating Pins, with ball end

Drawing



Order information

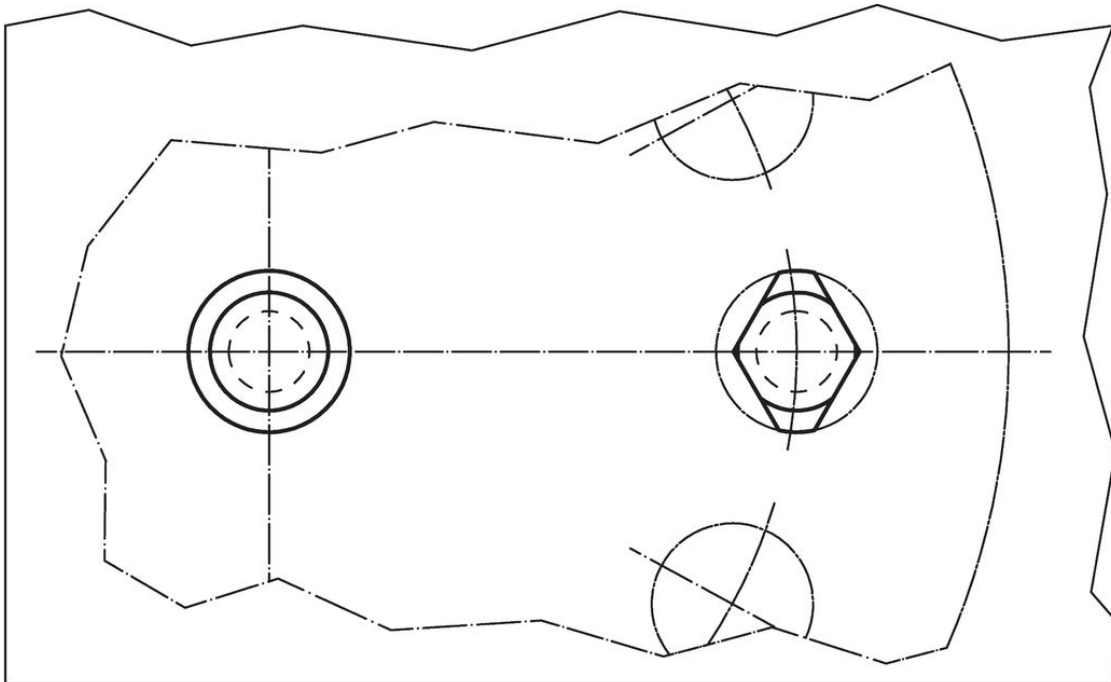
Dimensions												Location hole	Art. No.	
d ₁	l ₁	b	d ₂	l ₂	d ₃	d ₄	l ₄	d ₅	l ₅	d ₆	l ₆	D ₁ H7		[g]
[mm]												[mm]		
locating pin, cylindric, with bore hole – picture 1														
6	7	–	4	6	–	–	4	2.1	–	M 2	–	4	1.4	22630.0220¹⁾
6	12	–	4	6	–	–	4	2.1	–	M 2	–	4	2.9	22630.0221¹⁾
8	10	–	6	9	M3	–	6	2.6	–	M2,5	10	6	4.2	22630.0222
8	16	–	6	9	M3	–	6	2.6	–	M2,5	10	6	6.4	22630.0223
10	10	–	6	9	M3	5.0	6	2.6	2.6	M2,5	10	6	6.1	22630.0224
10	18	–	6	9	M3	5.0	6	2.6	2.6	M2,5	10	6	10.0	22630.0225
12	10	–	6	9	M3	5.0	6	2.6	2.6	M2,5	10	6	8.0	22630.0226
12	18	–	6	9	M3	5.0	6	2.6	2.6	M2,5	10	6	15.0	22630.0227
16	13	–	8	12	M4	6.5	8	3.3	3.1	M 3	13	8	19.0	22630.0228
16	22	–	8	12	M4	6.5	8	3.3	3.1	M 3	13	8	32.0	22630.0229
20	15	–	12	18	M6	10.0	9	5.2	5.1	M 5	19	12	46.0	22630.0230
20	25	–	12	18	M6	10.0	9	5.2	5.1	M 5	19	12	60.0	22630.0231
25	15	–	12	18	M6	10.0	9	5.2	5.1	M 5	19	12	59.0	22630.0232
25	25	–	12	18	M6	10.0	9	5.2	5.1	M 5	19	12	96.0	22630.0233
locating pin, flattened, with bore hole – picture 2														
6	7	1.0	4	6	–	–	4	2.1	–	M 2	–	4	1.0	22630.0240¹⁾
6	12	1.0	4	6	–	–	4	2.1	–	M 2	–	4	1.5	22630.0241¹⁾
8	10	1.6	6	9	M3	–	6	2.6	–	M2,5	10	6	3.4	22630.0242
8	16	1.6	6	9	M3	–	6	2.6	–	M2,5	10	6	4.4	22630.0243
10	10	2.5	6	9	M3	5.0	6	2.6	2.6	M2,5	10	6	4.6	22630.0244

¹⁾ can only be mounted from the top

d ₁ g6	l ₁	b	d ₂ k6	l ₂	Dimensions							Location hole D ₁ H7 [mm]	[g]	Art. No.
					d ₃	d ₄	l ₄	d ₅	l ₅	d ₆	l ₆			
[mm]														
10	18	2.5	6	9	M3	5.0	6	2.6	2.6	M2,5	10	6	7.3	22630.0245
12	10	2.5	6	9	M3	5.0	6	2.6	2.6	M2,5	10	6	5.8	22630.0246
12	18	2.5	6	9	M3	5.0	6	2.6	2.6	M2,5	10	6	10.0	22630.0247
16	13	3.5	8	12	M4	6.5	8	3.3	3.1	M 3	13	8	14.0	22630.0248
16	22	3.5	8	12	M4	6.5	8	3.3	3.1	M 3	13	8	22.0	22630.0249
20	15	5.0	12	18	M6	10.0	9	5.2	5.1	M 5	19	12	30.0	22630.0250
20	25	5.0	12	18	M6	10.0	9	5.2	5.1	M 5	19	12	44.0	22630.0251
25	15	5.0	12	18	M6	10.0	9	5.2	5.1	M 5	19	12	41.0	22630.0252
25	25	5.0	12	18	M6	10.0	9	5.2	5.1	M 5	19	12	62.0	22630.0253

¹⁾ can only be mounted from the top

Application example



Compliance

RoHS compliant

Compliant according to Directive 2011/65/EU and Directive 2015/863.

Does not contain SVHC substances

No SVHC substances with more than 0.1% w/w contained - SVHC list [REACH] as of 23.01.2024.

Does not contain Proposition 65 substances

No Proposition 65 substances included.
<https://www.P65Warnings.ca.gov/>

Free from Conflict Minerals

This product does not contain any substances designated as "conflict minerals" such as tantalum, tin, gold or tungsten from the Democratic Republic of Congo or adjacent countries.