

Support Legs EH 22593.



Product Description

The support legs are universally usable as adjustable legs. The plate is screwed to the threaded pin and nut by a stainless steel fastening screw, and is also glued.

Material

Grub Screw

- Steel, zinc-plated by galvanization, passivated
- Stainless steel 1.4305

Nut

- Steel, zinc-plated by galvanization, passivated
- Stainless steel 1.4305

Lock nut

- Steel, zinc-coated by galvanisation, passivated, ISO 4032
- Stainless Steel A2, ISO 4032

Pad

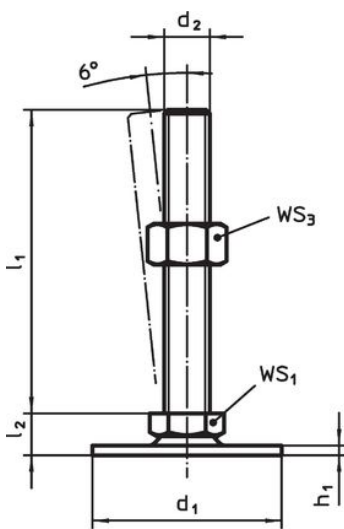
- Steel, zinc-plated by galvanization, passivated
- Stainless steel 1.4301, vibratory ground

More information

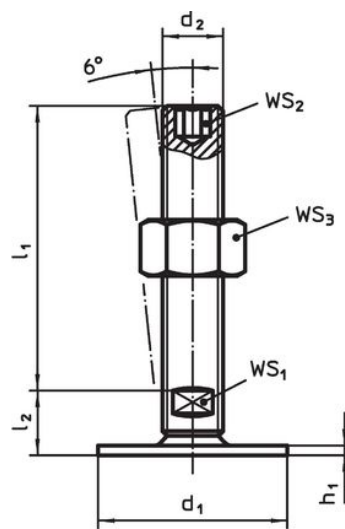
Further products

- Support Legs, protected against slipping

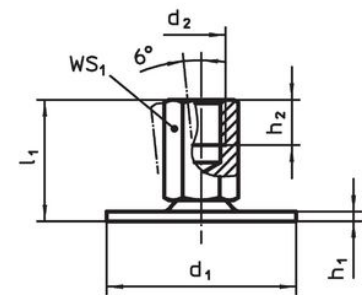
Drawing



picture 1




picture 2





picture 3

Order information

Dimensions						WS ₁	WS ₂	WS ₃	Art. No.	
d ₁	d ₂	l ₁	h ₁	h ₂	l ₂	[mm]	[mm]	[mm]		[g]
with screw – picture 1, Steel										
40	M 8	40	2.0	–	11	17	–	13	45	22593.0005
40	M 8	50	2.0	–	11	17	–	13	48	22593.0010
40	M 8	63	2.0	–	11	17	–	13	48	22593.0015
40	M10	50	2.0	–	11	17	–	16	62	22593.0020
40	M10	60	2.0	–	11	17	–	16	69	22593.0025
40	M10	80	2.0	–	11	17	–	16	76	22593.0030
40	M10	100	2.0	–	11	17	–	16	87	22593.0035
40	M12	60	2.0	–	11	17	–	18	85	22593.0040
40	M12	80	2.0	–	11	17	–	18	98	22593.0045
40	M12	100	2.0	–	11	17	–	18	113	22593.0050

d ₁	d ₂	Dimensions				WS ₁	WS ₂	WS ₃		Art. No.
		l ₁	h ₁	h ₂	l ₂					
		[mm]				[mm]	[mm]	[mm]	[g]	
40	M12	125	2.0	–	11	17	–	18	132	22593.0055
50	M 8	40	2.5	–	11	17	–	13	62	22593.0060
50	M 8	50	2.5	–	11	17	–	13	68	22593.0065
50	M 8	63	2.5	–	11	17	–	13	70	22593.0070
50	M10	50	2.5	–	11	17	–	16	80	22593.0075
50	M10	60	2.5	–	11	17	–	16	86	22593.0080
50	M10	80	2.5	–	11	17	–	16	95	22593.0085
50	M10	100	2.5	–	11	17	–	16	106	22593.0090
50	M12	60	2.5	–	11	17	–	18	102	22593.0095
50	M12	80	2.5	–	11	17	–	18	117	22593.0100
50	M12	100	2.5	–	11	17	–	18	132	22593.0105
50	M12	125	2.5	–	11	17	–	18	150	22593.0110
60	M 8	40	2.5	–	11	17	–	13	81	22593.0115
60	M 8	50	2.5	–	11	17	–	13	83	22593.0120
60	M 8	63	2.5	–	11	17	–	13	87	22593.0125
60	M10	50	2.5	–	11	17	–	16	97	22593.0130
60	M10	60	2.5	–	11	17	–	16	103	22593.0135
60	M10	80	2.5	–	11	17	–	16	111	22593.0140
60	M10	100	2.5	–	11	17	–	16	122	22593.0145
60	M12	60	2.5	–	11	17	–	18	120	22593.0150
60	M12	80	2.5	–	11	17	–	18	134	22593.0155
60	M12	100	2.5	–	11	17	–	18	150	22593.0160
60	M12	125	2.5	–	11	17	–	18	167	22593.0165
80	M 8	40	3.0	–	12	17	–	13	144	22593.0170
80	M 8	50	3.0	–	12	17	–	13	148	22593.0175
80	M 8	63	3.0	–	12	17	–	13	152	22593.0180
80	M10	50	3.0	–	12	17	–	16	163	22593.0185
80	M10	60	3.0	–	12	17	–	16	167	22593.0190
80	M10	80	3.0	–	12	17	–	16	176	22593.0195
80	M10	100	3.0	–	12	17	–	16	187	22593.0200
80	M12	60	3.0	–	12	17	–	18	186	22593.0205
80	M12	80	3.0	–	12	17	–	18	199	22593.0210
80	M12	100	3.0	–	12	17	–	18	218	22593.0215
80	M12	125	3.0	–	12	17	–	18	231	22593.0220
with screw – picture 2, Steel										
40	M16	75	2.0	–	17	12	8	24	154	22593.0605
40	M16	100	2.0	–	17	12	8	24	183	22593.0610
40	M16	125	2.0	–	17	12	8	24	217	22593.0615
40	M16	150	2.0	–	17	12	8	24	252	22593.0620
40	M16	200	2.0	–	17	12	8	24	315	22593.0625
50	M16	75	2.5	–	17	12	8	24	172	22593.0630
50	M16	100	2.5	–	17	12	8	24	205	22593.0635
50	M16	125	2.5	–	17	12	8	24	236	22593.0640
50	M16	150	2.5	–	17	12	8	24	270	22593.0645
50	M16	200	2.5	–	17	12	8	24	335	22593.0650
60	M16	75	2.5	–	17	12	8	24	187	22593.0655
60	M16	100	2.5	–	17	12	8	24	221	22593.0660
60	M16	125	2.5	–	17	12	8	24	252	22593.0665
60	M16	150	2.5	–	17	12	8	24	288	22593.0670
60	M16	200	2.5	–	17	12	8	24	352	22593.0675
80	M16	75	3.0	–	18	12	8	24	251	22593.0680
80	M16	100	3.0	–	18	12	8	24	285	22593.0685
80	M16	125	3.0	–	18	12	8	24	317	22593.0690
80	M16	150	3.0	–	18	12	8	24	349	22593.0695
80	M16	200	3.0	–	18	12	8	24	414	22593.0700
80	M20	75	3.0	–	19	15	10	30	340	22593.0705
80	M20	100	3.0	–	19	15	10	30	393	22593.0710
80	M20	125	3.0	–	19	15	10	30	441	22593.0715
80	M20	150	3.0	–	19	15	10	30	494	22593.0720
80	M20	200	3.0	–	19	15	10	30	600	22593.0725

d ₁	d ₂	Dimensions				WS ₁	WS ₂	WS ₃		Art. No.
		l ₁	h ₁	h ₂	l ₂					
		[mm]				[mm]	[mm]	[mm]	[g]	
80	M24	100	3.0	–	22	19	12	36	537	22593.0730
80	M24	125	3.0	–	22	19	12	36	610	22593.0735
80	M24	150	3.0	–	22	19	12	36	681	22593.0740
80	M24	200	3.0	–	22	19	12	36	829	22593.0745
with female thread – picture 3, Steel										
40	M 8	25	2.0	8	–	14	–	–	41	22593.1005
40	M10	28	2.0	10	–	14	–	–	40	22593.1010
40	M12	31	2.0	12	–	17	–	–	57	22593.1015
40	M16	37	2.0	16	–	22	–	–	93	22593.1020
50	M 8	25	2.5	8	–	14	–	–	59	22593.1025
50	M10	28	2.5	10	–	14	–	–	58	22593.1030
50	M12	32	2.5	12	–	17	–	–	76	22593.1035
50	M16	37	2.5	16	–	22	–	–	112	22593.1040
60	M 8	25	2.5	8	–	14	–	–	76	22593.1045
60	M10	28	2.5	10	–	14	–	–	77	22593.1050
60	M12	32	2.5	12	–	17	–	–	92	22593.1055
60	M16	37	2.5	16	–	22	–	–	127	22593.1060
80	M 8	26	3.0	8	–	14	–	–	140	22593.1065
80	M10	29	3.0	10	–	14	–	–	144	22593.1070
80	M12	32	3.0	12	–	17	–	–	160	22593.1075
80	M16	38	3.0	16	–	22	–	–	195	22593.1080
80	M20	45	3.0	20	–	27	–	–	256	22593.1085
with screw – picture 1, Stainless steel										
40	M 8	40	2.0	–	11	17	–	13	45	22593.1505
40	M 8	50	2.0	–	11	17	–	13	48	22593.1510
40	M 8	63	2.0	–	11	17	–	13	48	22593.1515
40	M10	50	2.0	–	11	17	–	16	62	22593.1520
40	M10	60	2.0	–	11	17	–	16	69	22593.1525
40	M10	80	2.0	–	11	17	–	16	76	22593.1530
40	M10	100	2.0	–	11	17	–	16	87	22593.1535
40	M12	60	2.0	–	11	17	–	18	85	22593.1540
40	M12	80	2.0	–	11	17	–	18	98	22593.1545
40	M12	100	2.0	–	11	17	–	18	113	22593.1550
40	M12	125	2.0	–	11	17	–	18	132	22593.1555
50	M 8	40	2.5	–	11	17	–	13	62	22593.1560
50	M 8	50	2.5	–	11	17	–	13	68	22593.1565
50	M 8	63	2.5	–	11	17	–	13	70	22593.1570
50	M10	50	2.5	–	11	17	–	16	80	22593.1575
50	M10	60	2.5	–	11	17	–	16	86	22593.1580
50	M10	80	2.5	–	11	17	–	16	95	22593.1585
50	M10	100	2.5	–	11	17	–	16	106	22593.1590
50	M12	60	2.5	–	11	17	–	18	102	22593.1595
50	M12	80	2.5	–	11	17	–	18	117	22593.1600
50	M12	100	2.5	–	11	17	–	18	132	22593.1605
50	M12	125	2.5	–	11	17	–	18	150	22593.1610
60	M 8	40	2.5	–	11	17	–	13	81	22593.1615
60	M 8	50	2.5	–	11	17	–	13	83	22593.1620
60	M 8	63	2.5	–	11	17	–	13	87	22593.1625
60	M10	50	2.5	–	11	17	–	16	97	22593.1630
60	M10	60	2.5	–	11	17	–	16	103	22593.1635
60	M10	80	2.5	–	11	17	–	16	111	22593.1640
60	M10	100	2.5	–	11	17	–	16	122	22593.1645
60	M12	60	2.5	–	11	17	–	18	120	22593.1650
60	M12	80	2.5	–	11	17	–	18	134	22593.1655
60	M12	100	2.5	–	11	17	–	18	150	22593.1660
60	M12	125	2.5	–	11	17	–	18	167	22593.1665
80	M 8	40	3.0	–	12	17	–	13	144	22593.1670
80	M 8	50	3.0	–	12	17	–	13	148	22593.1675
80	M 8	63	3.0	–	12	17	–	13	152	22593.1680
80	M10	50	3.0	–	12	17	–	16	163	22593.1685
80	M10	60	3.0	–	12	17	–	16	167	22593.1690
80	M10	80	3.0	–	12	17	–	16	176	22593.1695

d ₁	d ₂	Dimensions				WS ₁	WS ₂	WS ₃		Art. No.
		l ₁	h ₁	h ₂	l ₂					
		[mm]				[mm]	[mm]	[mm]	[g]	
80	M10	100	3.0	–	12	17	–	16	187	22593.1700
80	M12	60	3.0	–	12	17	–	18	186	22593.1705
80	M12	80	3.0	–	12	17	–	18	199	22593.1710
80	M12	100	3.0	–	12	17	–	18	218	22593.1715
80	M12	125	3.0	–	12	17	–	18	231	22593.1720
with screw – picture 2, Stainless steel										
40	M16	75	2.0	–	17	12	8	24	154	22593.2105
40	M16	100	2.0	–	17	12	8	24	183	22593.2110
40	M16	125	2.0	–	17	12	8	24	217	22593.2115
40	M16	150	2.0	–	17	12	8	24	252	22593.2120
40	M16	200	2.0	–	17	12	8	24	315	22593.2125
50	M16	75	2.5	–	17	12	8	24	172	22593.2130
50	M16	100	2.5	–	17	12	8	24	205	22593.2135
50	M16	125	2.5	–	17	12	8	24	236	22593.2140
50	M16	150	2.5	–	17	12	8	24	270	22593.2145
50	M16	200	2.5	–	17	12	8	24	335	22593.2150
60	M16	75	2.5	–	17	12	8	24	187	22593.2155
60	M16	100	2.5	–	17	12	8	24	221	22593.2160
60	M16	125	2.5	–	17	12	8	24	252	22593.2165
60	M16	150	2.5	–	17	12	8	24	288	22593.2170
60	M16	200	2.5	–	17	12	8	24	352	22593.2175
80	M16	75	3.0	–	18	12	8	24	251	22593.2180
80	M16	100	3.0	–	18	12	8	24	285	22593.2185
80	M16	125	3.0	–	18	12	8	24	317	22593.2190
80	M16	150	3.0	–	18	12	8	24	349	22593.2195
80	M16	200	3.0	–	18	12	8	24	414	22593.2200
80	M20	75	3.0	–	19	15	10	30	340	22593.2205
80	M20	100	3.0	–	19	15	10	30	393	22593.2210
80	M20	125	3.0	–	19	15	10	30	441	22593.2215
80	M20	150	3.0	–	19	15	10	30	494	22593.2220
80	M20	200	3.0	–	19	15	10	30	600	22593.2225
80	M24	100	3.0	–	22	19	12	36	537	22593.2230
80	M24	125	3.0	–	22	19	12	36	610	22593.2235
80	M24	150	3.0	–	22	19	12	36	681	22593.2240
80	M24	200	3.0	–	22	19	12	36	829	22593.2245
with female thread – picture 3, Stainless steel										
40	M 8	25	2.0	8	–	14	–	–	41	22593.2505
40	M10	28	2.0	10	–	14	–	–	40	22593.2510
40	M12	31	2.0	12	–	17	–	–	57	22593.2515
40	M16	37	2.0	16	–	22	–	–	93	22593.2520
50	M 8	25	2.5	8	–	14	–	–	59	22593.2525
50	M10	28	2.5	10	–	14	–	–	58	22593.2530
50	M12	32	2.5	12	–	17	–	–	76	22593.2535
50	M16	37	2.5	16	–	22	–	–	112	22593.2540
60	M 8	25	2.5	8	–	14	–	–	76	22593.2545
60	M10	28	2.5	10	–	14	–	–	77	22593.2550
60	M12	32	2.5	12	–	17	–	–	92	22593.2555
60	M16	37	2.5	16	–	22	–	–	127	22593.2560
80	M 8	26	3.0	8	–	14	–	–	140	22593.2565
80	M10	29	3.0	10	–	14	–	–	144	22593.2570
80	M12	32	3.0	12	–	17	–	–	160	22593.2575
80	M16	38	3.0	16	–	22	–	–	195	22593.2580
80	M20	45	3.0	20	–	27	–	–	256	22593.2585

Compliance

For detailed compliance information please select the desired article number.