

Grub Screws • ball-headed EH 22570.



Product Description

The ball-headed grub screws (EH 22570.) can be combined with plastic thrust pads (EH 22570.).

Material

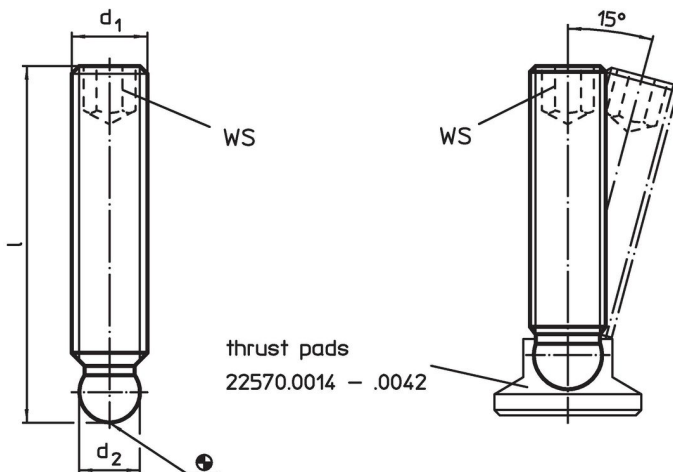
- Free cutting steel, quality 5.8, blackened
- Stainless steel 1.4305

More information


Further products


- Thrust Pads, plastic

Drawing

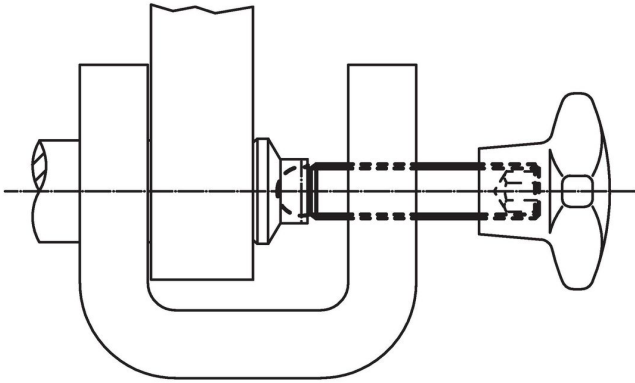


Order information

| d ₁ | Dimensions l [mm] | d ₂ +0.05 | WS [mm] |  [g] | Art. No. |
|---------------------------|-------------------------|-------------------------|------------|--|----------------------------|
| Free cutting steel | | | | | |
| M 6 | 30 | 4.5 | 3 | 5.1 | 22570.0210 |
| M 6 | 40 | 4.5 | 3 | 5.9 | 22570.0214 |
| M 6 | 50 | 4.5 | 3 | 7.6 | 22570.0218 |
| M 8 | 25 | 6.1 | 4 | 5.8 | 22570.0219 |
| M 8 | 40 | 6.1 | 4 | 11.0 | 22570.0220 |
| M 8 | 50 | 6.1 | 4 | 14.0 | 22570.0224 |
| M 8 | 63 | 6.1 | 4 | 18.0 | 22570.0228 |
| M10 | 40 | 7.8 | 5 | 16.0 | 22570.0248 |
| M10 | 50 | 7.8 | 5 | 21.0 | 22570.0250 |
| M10 | 63 | 7.8 | 5 | 27.0 | 22570.0254 |
| M10 | 80 | 7.8 | 5 | 36.0 | 22570.0258 |
| M12 | 40 | 9.4 | 6 | 23.0 | 22570.0316 |
| M12 | 63 | 9.4 | 6 | 39.0 | 22570.0320 |
| M12 | 80 | 9.4 | 6 | 51.0 | 22570.0324 |
| M12 | 100 | 9.4 | 6 | 65.0 | 22570.0328 |
| Stainless steel | | | | | |
| M 6 | 30 | 4.5 | 3 | 5.1 | 22570.0410 |
| M 6 | 40 | 4.5 | 3 | 5.9 | 22570.0414 |
| M 6 | 50 | 4.5 | 3 | 7.6 | 22570.0418 |
| M 8 | 25 | 6.1 | 4 | 5.8 | 22570.0419 |
| M 8 | 40 | 6.1 | 4 | 11.0 | 22570.0420 |
| M 8 | 50 | 6.1 | 4 | 14.0 | 22570.0424 |
| M 8 | 63 | 6.1 | 4 | 18.0 | 22570.0428 |
| M10 | 40 | 7.8 | 5 | 16.0 | 22570.0448 |
| M10 | 50 | 7.8 | 5 | 21.0 | 22570.0450 |
| M10 | 63 | 7.8 | 5 | 27.0 | 22570.0454 |

| d ₁ | Dimensions | | WS |  | Art. No. |
|----------------|------------|-------------------------|----|---|----------------------------|
| | l | d ₂ +0.05 | | | |
| M10 | 80 | 7.8 | 5 | 36.0 | 22570.0458 |
| M12 | 40 | 9.4 | 6 | 23.0 | 22570.0516 |
| M12 | 63 | 9.4 | 6 | 39.0 | 22570.0520 |
| M12 | 80 | 9.4 | 6 | 51.0 | 22570.0524 |
| M12 | 100 | 9.4 | 6 | 65.0 | 22570.0528 |

Application example



Compliance

For detailed compliance information please select the desired article number.