

Lateral Spring Plungers • with spring steel sheet

EH 22160.



Product Description

The lateral spring plunger with spring steel sheet guarantees a simple and secure positioning of workpieces or components at stops or fixture plates, e.g. in board mounting or before the clamping process in the jig and fixture construction. The double-sided version allows for serial clamping. Below h_1 is resulting a down hold effect.

Material

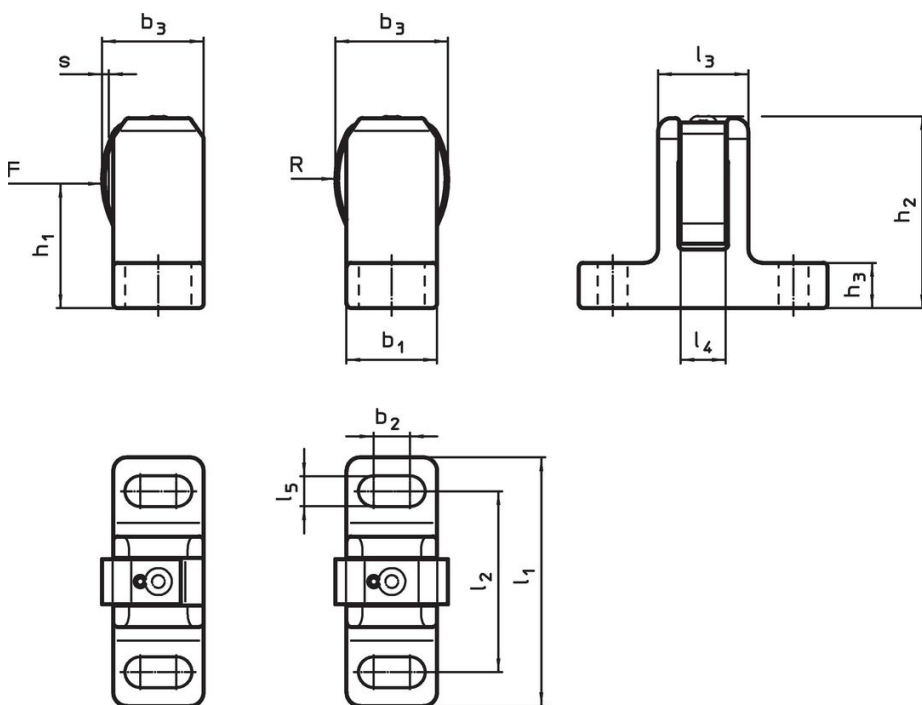
Spring element

- Stainless steel

Body

- Steel, black

Drawing



picture 1

picture 2

Order information

Dimensions													Stroke	For screw	Spring load	max.		Art. No.
l_1	l_2	l_3	l_4	l_5	b_1	b_2	b_3	h_1	h_2	h_3	R	s		F	max. ¹⁾	°C	g	
± 1					± 0.5		~		± 1			[mm]	[mm]	[N]		[°C]	[g]	
[mm]																		
one-sided – picture 1																		
55	40	20	10	6.6	20	8	22.5	28.5	43.0	10	22.5	1.5	M 6	55	250	127		22160.0006
72	50	23	12	13.5	25	6	29.0	40.5	61.5	15	32.8	1.5	M12	170	250	251		22160.0012
double-sided – picture 2																		
55	40	20	10	6.6	20	8	25.0	28.5	42.5	10	22.5	1.5	M 6	55	250	128		22160.0206
72	50	23	12	13.5	25	6	33.5	40.5	61.5	15	32.8	1.5	M12	170	250	256		22160.0212

¹⁾ statistical average value

Application example



Compliance

RoHS compliant

Compliant according to Directive 2011/65/EU and Directive 2015/863.

Does not contain SVHC substances

No SVHC substances with more than 0.1% w/w contained - SVHC list [REACH] as of 27.06.2024.

Does not contain Proposition 65 substances

No Proposition 65 substances included.
<https://www.P65Warnings.ca.gov/>

Free from Conflict Minerals

This product does not contain any substances designated as "conflict minerals" such as tantalum, tin, gold or tungsten from the Democratic Republic of Congo or adjacent countries.