

Index Plungers · with hexagon collar and locking, stainless steel EH 22120.



Product Description

Index plungers are used for indexing bores.

Material

Body

- Stainless steel 1.4305

Locking pin

- Stainless steel 1.4305, nickel-plated

Knob

- Stainless steel 1.4305

Assembly

The screw length can be adapted by distance collars for index plungers (EH 22120.).

Operation

The knob is pulled-out, turned 90° and secured by a notched catch (when locking pin should not overhang).

More information

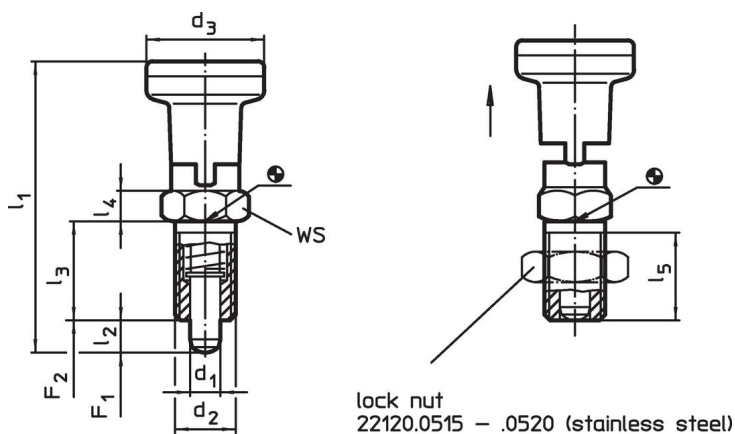
Notes

Knob not removable.
Lock nuts have to be purchased separately.

Further products

- Mounting Blocks, for index bolts and index plungers, die-cast
- Distance Collars, for index plungers

Drawing




Order information

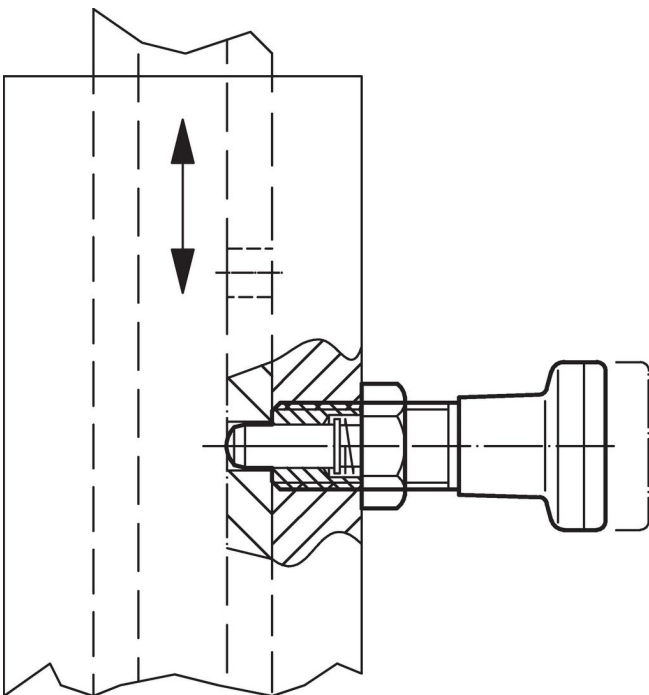
Dimensions								WS [mm]	Spring load ¹⁾		max. [°C]	[g]	Art. No.
d ₁ -0.02 -0.05	d ₂	d ₃	l ₁ ~ [mm]	l ₂ min.	l ₃	l ₄	l ₅ min.		F ₁ ~ [N]	F ₂ ~			
Stainless steel													
5	M10 x 1	21	51.0	5	17	5	15	12	6.0	14	250	43	22120.0615
6	M12 x 1,5	25	61.0	6	20	6	17	14	6.5	19	250	71	22120.0616
8	M16 x 1,5	31	75.5	7	26	8	23	19	11.5	28	250	144	22120.0618
10	M20 x 1,5	31	91.0	10	33	10	30	22	28.0	54	250	203	22120.0620

¹⁾ statistical average value

Accessories

	Dimensions		Wrench size [mm]	[g]	Art. No.
	d ₂ [mm]				
Lock nuts ISO 8675 (DIN 439), Stainless steel					
	M10 x 1		16	5.2	22120.0515
	M12 x 1,5		18	7.5	22120.0516
	M16 x 1,5		24	15.0	22120.0518
	M20 x 1,5		30	32.0	22120.0520

Application example



Compliance

For detailed compliance information please select the desired article number.