

Index Plungers • with hexagon collar and locking

EH 22120.



Product Description

Index plungers are used for indexing bores.

Material

Body

- Free cutting steel, blackened
- Stainless steel 1.4305

Locking pin

- Steel, hardened
- Stainless steel 1.4305, nickel-plated

Knob

- Thermoplastic PA 6, black, dull

Assembly

The screw length can be adapted by distance collars for index plungers (EH 22120.).

Operation

The knob is pulled-out, turned 90° and secured by a notched catch (when locking pin should not overhang).

More information

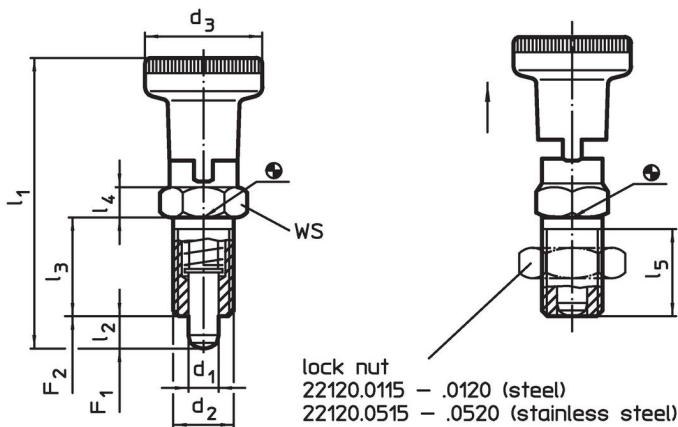
Notes

Knob not removable.
Lock nuts have to be purchased separately.

Further products

- Mounting Blocks, for index bolts and index plungers, die-cast
- Locating Bushings, for index bolts and index plungers
- Distance Collars, for index plungers

Drawing






Order information

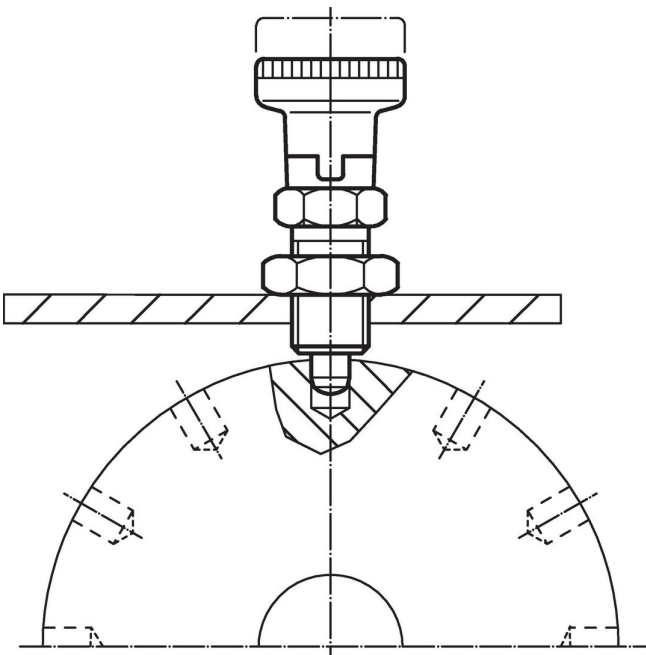
Dimensions								WS	Spring load ¹⁾		Temperature		Weight	Art. No.
d ₁	d ₂	d ₃	l ₁	l ₂ min.	l ₃	l ₄	l ₅ min.		F ₁	F ₂	min.	max.		
-0.02 -0.05			~					~	~					
[mm]								[mm]	[N]		[°C]		[g]	
Free cutting steel														
5	M10 x 1	21	51.0	5	17	5	15	12	6.0	14	-30	80	21	22120.0205
6	M12 x 1,5	25	61.0	6	20	6	17	14	6.5	19	-30	80	36	22120.0206
8	M16 x 1,5	31	75.5	7	26	8	23	19	11.5	28	-30	80	79	22120.0208
10	M20 x 1,5	31	91.0	10	33	10	30	22	28.0	54	-30	80	134	22120.0210
Stainless steel														
5	M10 x 1	21	51.0	5	17	5	15	12	6.0	14	-30	80	21	22120.0605
6	M12 x 1,5	25	61.0	6	20	6	17	14	6.5	19	-30	80	36	22120.0606
8	M16 x 1,5	31	75.5	7	26	8	23	19	11.5	28	-30	80	79	22120.0608
10	M20 x 1,5	31	91.0	10	33	10	30	22	28.0	54	-30	80	134	22120.0610

¹⁾ statistical average value

Accessories

	Dimensions	Wrench size	 [g]	Art. No.
	d ₂ [mm]	[mm]		
Lock nuts ISO 8675 (DIN 439), Steel				
	M10 x 1	16	5.2	22120.0115
	M12 x 1,5	18	7.5	22120.0116
	M16 x 1,5	24	15.0	22120.0118
	M20 x 1,5	30	32.0	22120.0120
Lock nuts ISO 8675 (DIN 439), Stainless steel				
	M10 x 1	16	5.2	22120.0515
	M12 x 1,5	18	7.5	22120.0516
	M16 x 1,5	24	15.0	22120.0518
	M20 x 1,5	30	32.0	22120.0520

Application example



Compliance

For detailed compliance information please select the desired article number.