

Index Plungers Compact • with hexagon collar and locking, with T-Handle

EH 22110.



Product Description

Index plungers are used for indexing bores.
Simple handling, e.g. when using safety gloves, with higher pull release.
Types with / without lock have the same building height.
Due to a thread recess the index plungers can be completely screwed in.

Material

Body

- Steel, blackened
- Stainless steel 1.4305

Locking pin

- Steel, hardened
- Stainless steel 1.4305, nickel-plated

Knob

- Thermoplastic PA 6, black, dull

Assembly

The screw length can be adapted by distance collars for index plungers (EH 22120.).

Operation

The T-Handle is pulled out, turned 90° and secured by an internal notched catch (when locking pin should not overhang). The positions are defined distinctively by the T-Handle.

More information

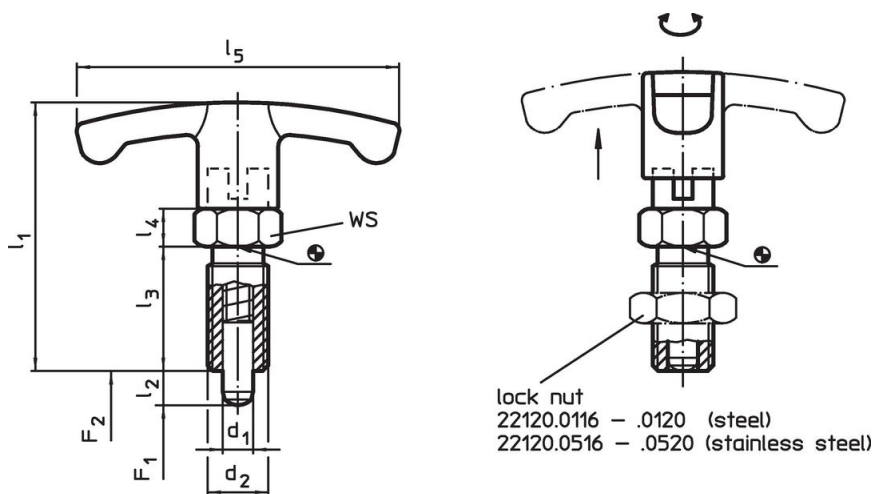
Notes

Knob not removable.
Lock nuts have to be purchased separately.

Further products

- Mounting Blocks, for index bolts and index plungers, die-cast
- Locating Bushings, for index bolts and index plungers
- Distance Collars, for index plungers

Drawing





Order information

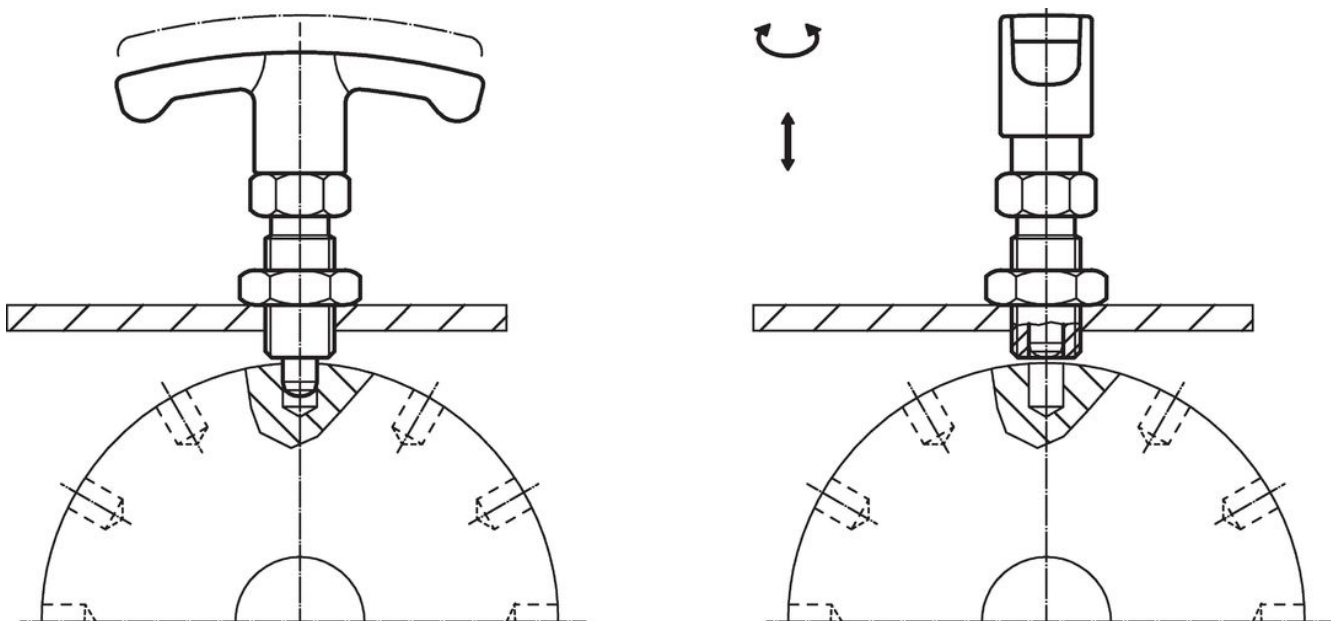
Dimensions							WS [mm]	Spring load ¹⁾		min. max.		[g]	Art. No.
d ₁ -0.02 -0.05	l ₂	d ₂	l ₁	l ₃	l ₄	l ₅		F ₁ ~ [N]	F ₂ ~ [N]	[°C]			
[mm]							[mm]	[N]		[°C]		[g]	
Steel													
6	6	M12 x 1,5	48	22	6	54	14	6.5	19	-30	80	33	22110.0832
6	9	M12 x 1,5	48	22	6	54	14	6.0	25	-30	80	34	22110.0834
8	8	M16 x 1,5	59	26	8	59	17	8.5	26	-30	80	68	22110.0836
8	12	M16 x 1,5	59	26	8	59	17	8.5	28	-30	80	71	22110.0838
10	12	M16 x 1,5	59	26	8	59	17	9.5	38	-30	80	72	22110.0840
12	15	M20 x 1,5	68	33	10	59	22	11.5	40	-30	80	127	22110.0842
Stainless steel													
6	6	M12 x 1,5	48	22	6	54	14	6.5	19	-30	80	33	22110.0932
6	9	M12 x 1,5	48	22	6	54	14	6.0	25	-30	80	34	22110.0934
8	8	M16 x 1,5	59	26	8	59	17	8.5	26	-30	80	68	22110.0936
8	12	M16 x 1,5	59	26	8	59	17	8.5	28	-30	80	71	22110.0938
10	12	M16 x 1,5	59	26	8	59	17	9.5	38	-30	80	72	22110.0940
12	15	M20 x 1,5	68	33	10	59	22	11.5	40	-30	80	127	22110.0942

¹⁾ statistical average value

Accessories

	Dimensions	Wrench size	[g]	Art. No.
	d ₂ [mm]	[mm]		
Lock nuts ISO 8675 (DIN 439), Steel				
	M12 x 1,5	18	7.5	22120.0116
	M16 x 1,5	24	15.0	22120.0118
	M20 x 1,5	30	32.0	22120.0120
Lock nuts ISO 8675 (DIN 439), Stainless steel				
	M12 x 1,5	18	7.5	22120.0516
	M16 x 1,5	24	15.0	22120.0518
	M20 x 1,5	30	32.0	22120.0520

Application example



Compliance

For detailed compliance information please select the desired article number.