

Spring Plungers • smooth, without collar

EH 22080.



Product Description

Spring plungers can be used for locating or for applying pressure, as a detent or for ejection.

Material

Body

- Stainless steel 1.4305

Ball

- Stainless steel, hardened

Spring

- Stainless steel

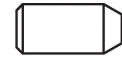
Assembly

The locating hole has to be adapted to each individual application case. We recommend an F8 size location hole for easy assembly and an H9 size when tight fit is required.

Characteristic

Standard spring load: no marking

Heavy spring load: marked with two lines



Standard spring load



Heavy spring load

More information

Notes

Special types on request.

Spring plungers are specially tested for spring range and forces.

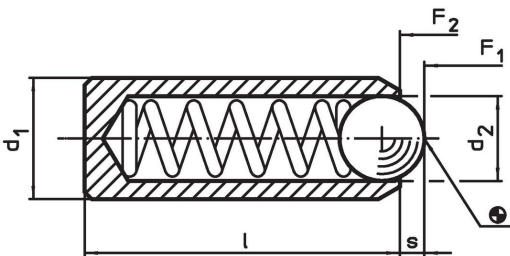
References

Calculation of indexing resistance, please refer to appendix - Technical Data -

Further products

- Spring Plungers, smooth, without collar, with moveable ball
- Locators, with bore hole, for spring plungers
- Locators, smooth, for spring plungers

Drawing



Order information

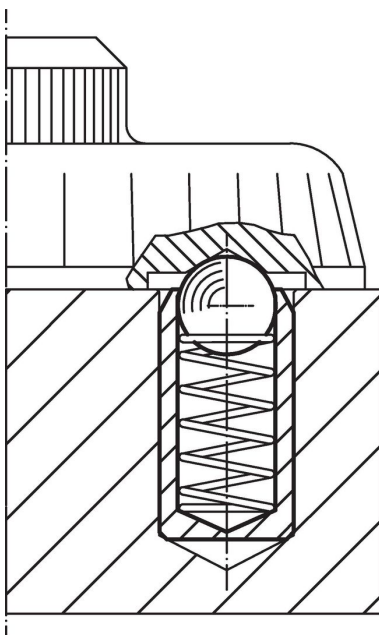
Dimensions			Stroke s [mm]	Spring load ¹⁾		max. [°C]	Location hole joint connection F8 / press fit H9 [mm]	[g]	Art. No.
d ₁ ±0.04	d ₂ [mm]	l [mm]		F ₁ ~ [N]	F ₂ ~ [N]				
stainless steel, standard spring load									
2.0	1.0	3.5	0.30	0.8	1.5	250	2.0	0.1	22080.0306
2.5	1.5	5.0	0.40	2.8	4.7	250	2.5	0.1	22080.0308
3.0	2.0	7.0	0.65	4.5	7.5	250	3.0	0.3	22080.0310
3.5	2.5	9.0	0.80	8.5	14.0	250	3.5	0.5	22080.0312
4.0	3.0	11.0	0.90	8.0	14.0	250	4.0	0.7	22080.0315
4.5	3.2	12.0	0.95	9.5	16.5	250	4.5	1.0	22080.0317
5.0	3.5	13.0	1.00	11.0	18.0	250	5.0	1.4	22080.0320
5.5	4.0	14.0	1.20	15.5	25.0	250	5.5	1.8	22080.0322

¹⁾ statistical average value

d ₁ ±0.04	Dimensions		Stroke s [mm]	Spring load ¹⁾		max. [°C]	Location hole joint connection F8 / press fit H9 [mm]	[g]	Art. No.
	d ₂ [mm]	l		F ₁ ~ [N]	F ₂ ~ [N]				
6.0	4.5	15.0	1.50	18.0	31.0	250	6.0	2.3	22080.0325
8.0	6.0	18.0	2.00	24.0	45.0	250	8.0	5.0	22080.0327
10.0	8.0	20.0	2.50	26.0	49.0	250	10.0	8.4	22080.0330
12.0	10.0	22.0	3.50	41.0	86.0	250	12.0	12.0	22080.0332
stainless steel, heavy spring load									
2.0	1.0	3.5	0.30	1.3	2.2	250	2.0	0.1	22080.0356
2.5	1.5	5.0	2.50	4.7	7.1	250	2.5	0.1	22080.0358
3.0	2.0	7.0	0.65	7.8	11.6	250	3.0	0.3	22080.0360
3.5	2.5	9.0	0.80	12.0	18.0	250	3.5	0.5	22080.0362
4.0	3.0	11.0	0.90	15.0	22.0	250	4.0	0.7	22080.0365
4.5	3.2	12.0	0.95	18.7	25.1	250	4.5	1.0	22080.0367
5.0	3.5	13.0	1.00	19.3	26.6	250	5.0	1.4	22080.0370
5.5	4.0	14.0	1.20	25.1	39.2	250	5.5	1.8	22080.0372
6.0	4.5	15.0	1.50	36.0	60.5	250	6.0	2.3	22080.0375
8.0	6.0	18.0	2.00	57.0	103.5	250	8.0	5.1	22080.0377
10.0	8.0	20.0	2.50	61.0	110.0	250	10.0	8.5	22080.0380
12.0	10.0	22.0	3.50	68.0	143.0	250	12.0	13.0	22080.0382

¹⁾ statistical average value

Application example



Compliance

RoHS compliant

Compliant according to Directive 2011/65/EU and Directive 2015/863.

Does not contain SVHC substances

No SVHC substances with more than 0.1% w/w contained - SVHC list [REACH] as of 27.06.2024.

Does not contain Proposition 65 substances

No Proposition 65 substances included.
<https://www.P65Warnings.ca.gov/>

Free from Conflict Minerals

This product does not contain any substances designated as "conflict minerals" such as tantalum, tin, gold or tungsten from the Democratic Republic of Congo or adjacent countries.