

## Clamping Bars

EH 1513.600 - EH 1613.800

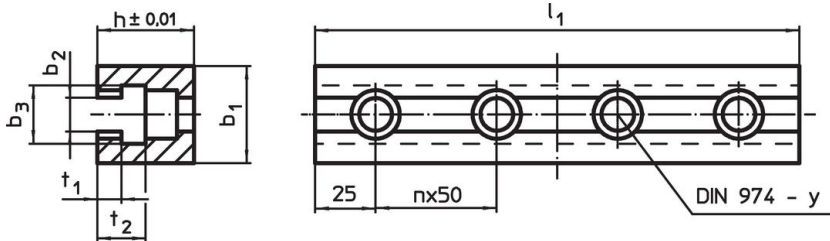


### Product Description

#### Material

- Steel, case-hardened, ground

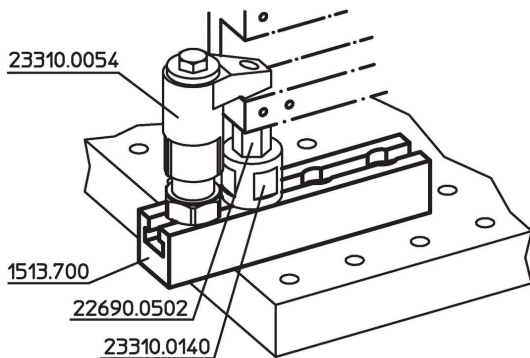
### Drawing



### Order information

System	Dimensions							y	For screws	Amount n	[g]	Art. No.
	l <sub>1</sub>	b <sub>1</sub>	b <sub>2</sub>	b <sub>3</sub>	h	t <sub>1</sub>	t <sub>2</sub>					
L12	150	40	14.3	24	40	10	20	12	M12	2	1240	1513.600
L12	200	40	14.3	24	40	10	20	12	M12	3	1663	1513.700
L16	200	60	18.3	30	50	12	24	16	M16	3	3153	1613.700
L16	300	60	18.3	30	50	12	24	16	M16	5	4986	1613.800

### Application example



### Compliance

#### RoHS compliant

Compliant according to Directive 2011/65/EU and Directive 2015/863.

#### Does not contain SVHC substances

No SVHC substances with more than 0.1% w/w contained - SVHC list [REACH] as of 27.06.2024.

#### Does not contain Proposition 65 substances

No Proposition 65 substances included.  
<https://www.P65Warnings.ca.gov/>

#### Free from Conflict Minerals

This product does not contain any substances designated as "conflict minerals" such as tantalum, tin, gold or tungsten from the Democratic Republic of Congo or adjacent countries.