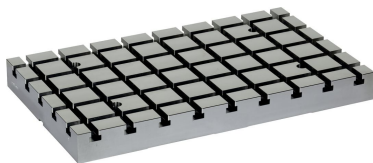


Base Plates · V70eco

EH 1200.300 - EH 1200.500



Product Description

V70eco base plates are a further development of the established V70 product line, optimized in quality and price.

They are fully compatible with the existing V70 T-slot System. Several alignment options are already included in the standard version.

- Locating holes in quality H6 and slots in quality H8.
- Alignment of the base plate on the machine table by means of locating holes and/or centering slot.
- Fastening holes on a 100 mm pitch.
- High-strength tool steel.

Available options (delivery time approx. 10 working days):

- a) Additional mounting holes on a 63 mm pitch
- b) Additional mounting holes on a 125 mm pitch
- c) Exterior stop
- d) With connecting rings for Halder Zero-Point Clamping System

Material

- Tool steel, high-strength

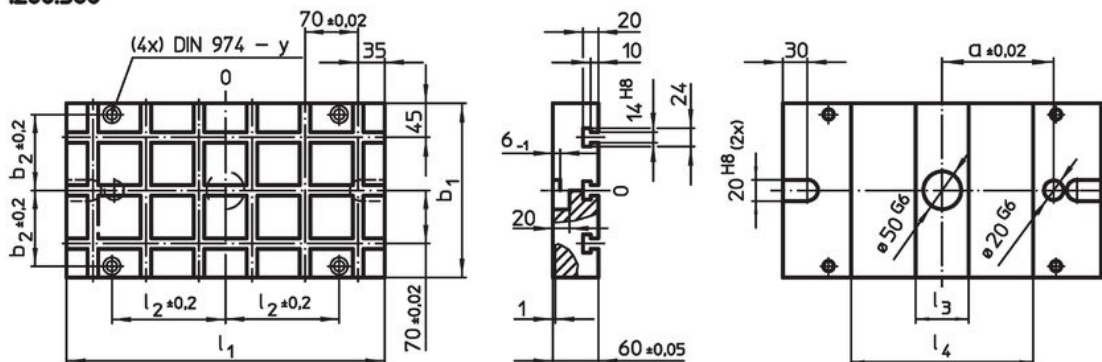
More information

Notes

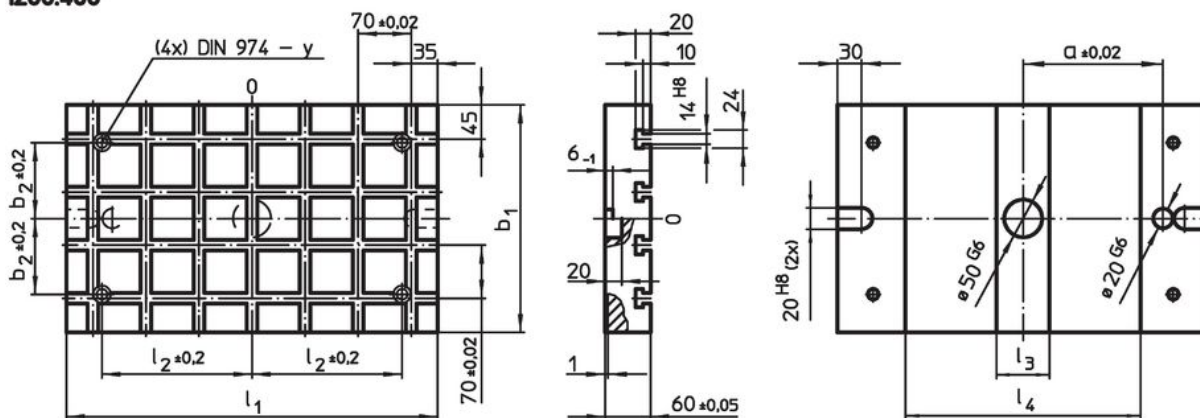
Special requests and larger dimensions are available on request.

Drawing

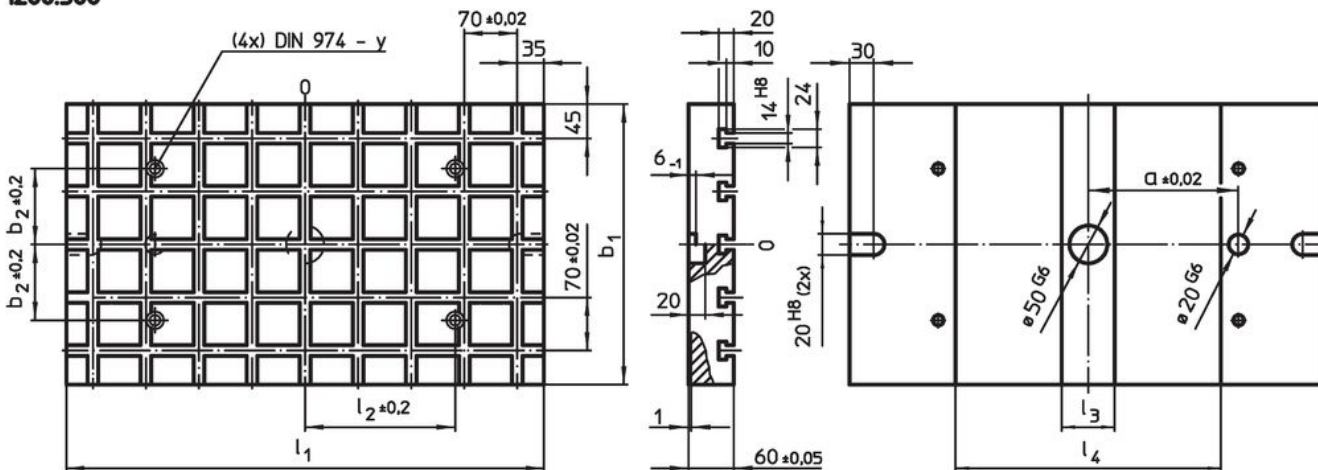
1200.300



1200.400



1200.500



Order information

System	l_1	b_1	a ± 0.02	Dimensions					y	Number of connecting rings Zero-Point Clamping System (optional)	Number of T-slots	[kg]	Art. No.
				b_2 ± 0.2	l_2 ± 0.2	l_3	l_4	[mm]					
V70	420	230	150	100	150	70	240	12	2	3 x 6	37	1200.300	
V70	490	300	200	100	200	70	310	12	2	4 x 7	57	1200.400	
V70	630	370	200	100	200	70	350	12	4	5 x 9	92	1200.500	

Compliance

RoHS compliant

Compliant according to Directive 2011/65/EU and Directive 2015/863.

Does not contain SVHC substances

No SVHC substances with more than 0.1% w/w contained - SVHC list [REACH] as of 27.06.2024.

Does not contain Proposition 65 substances

No Proposition 65 substances included.

<https://www.P65Warnings.ca.gov/>

Free from Conflict Minerals

This product does not contain any substances designated as "conflict minerals" such as tantalum, tin, gold or tungsten from the Democratic Republic of Congo or adjacent countries.