

Butt Straps

EH 1132.500 - EH 1132.800

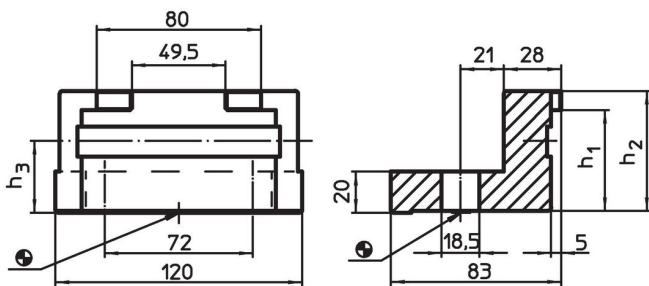


Product Description

Material

- Heat-treated steel, tempered, blackened

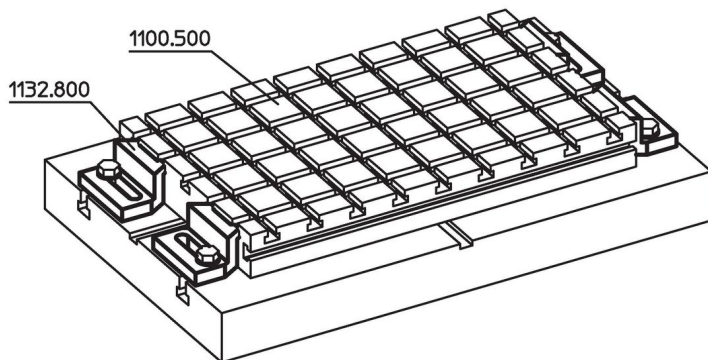
Drawing



Order information

System	Dimensions			[g]	Art. No.
	h_1	h_2 [mm]	h_3		
V70	39.7	49	-	1566	1132.500
V70	49.7	59	35	1708	1132.800

Application example



Compliance

RoHS compliant

Compliant according to Directive 2011/65/EU and Directive 2015/863.

Does not contain SVHC substances

No SVHC substances with more than 0.1% w/w contained - SVHC list [REACH] as of 27.06.2024.

Does not contain Proposition 65 substances

No Proposition 65 substances included.

<https://www.P65Warnings.ca.gov/>

Free from Conflict Minerals

This product does not contain any substances designated as "conflict minerals" such as tantalum, tin, gold or tungsten from the Democratic Republic of Congo or adjacent countries.