

## Lateral Plungers · with plastic spring and pin - INCH

2B150.0320



### Product Description

To be used for positioning and applying pressure, e.g. during painting and sandblasting.

#### Material

**Body**  
• Aluminium Al

**Spring**  
• plastic

**Pin**  
• Stainless steel

#### Assembly

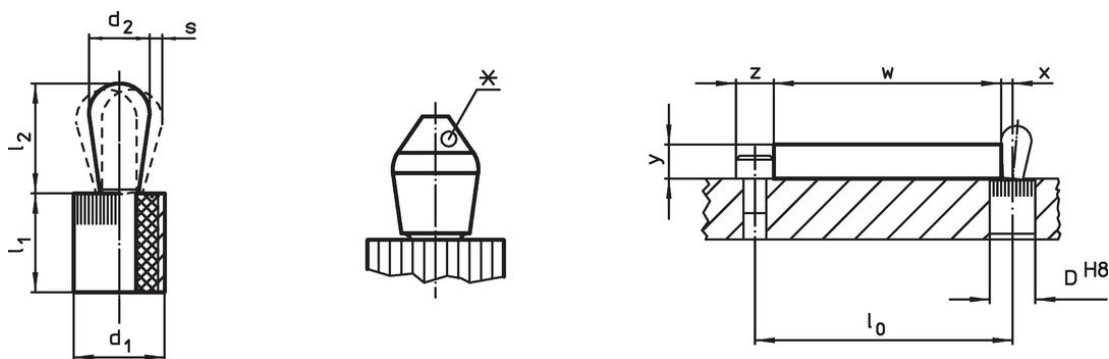
Installation by pressing in.  
Formula for calculating the center distance for the mounting hole:

$l_0 = z/2 + w + x$ ,  
 $l_0$  = center distance,  
 $y$  = workpiece height,  
 $w$  = workpiece length,  
 $x$  = coordinate dimension,  
 $s$  = stroke,  
 $z$  = stop diameter  
Calculation dimension  $x$ :  
 $y$  greater than or equal to  $l_2 - d_2/2$ ,  
then  $x = d_2/2 - s$   
or  
 $y$  smaller than  $l_2 - d_2/2$ ,  
then  $x = d_2/2 - s - [(l_2 - d_2/2 - y) * 0,123]$

#### Characteristic

Version light spring load = blue spring

### Drawing



\*some sizes (see chart) have a deviating pin shape

### Order information

Dimensions		Spring load	Dimensions		Stroke	Location hole	$x^{2)}$	max.		Art. No.
$d_1$	$d_2$	F max. <sup>1)</sup>	$l_1$	$l_2$	s	D H8	[in]	[°F]	[oz]	
[in]	[in]	[lb]	[in]	[in]	[in]	[in]				
7/16	0.197	6.7	0.374	0.287	0.016	0.438	0.083	212	0.093	2B150.0320

<sup>1)</sup> statistical average value

<sup>2)</sup> If the workpiece height ( $y$ ) is less than  $l_2 - d_2/2$ , the coordinate dimension ( $x$ ) must be calculated.

Accessories

	Dimensions d <sub>1</sub> [in]	 [oz]	Art. No.
<b>assembly tool</b>			
	7/16	1.749	22150.0831

Compliance

**RoHS compliant**

Compliant according to Directive 2011/65/EU and Directive 2015/863.

**Does not contain SVHC substances**

No SVHC substances with more than 0.1% w/w contained - SVHC list [REACH] as of 23.01.2024.

**Does not contain Proposition 65 substances**

No Proposition 65 substances included.

<https://www.P65Warnings.ca.gov/>

**Free from Conflict Minerals**

This product does not contain any substances designated as "conflict minerals" such as tantalum, tin, gold or tungsten from the Democratic Republic of Congo or adjacent countries.