

## Lateral Plungers · with plastic spring and pin - INCH

### 2B150.0310



#### Product Description

To be used for positioning and applying pressure, e.g. during painting and sandblasting.

#### Material

**Body**  
• Aluminium Al

**Spring**  
• plastic

**Pin**  
• Stainless steel

#### Assembly

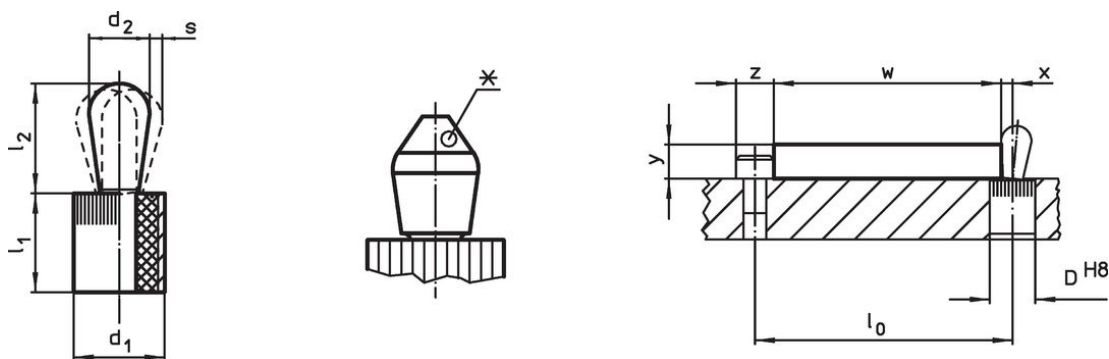
Installation by pressing in.  
Formula for calculating the center distance for the mounting hole:

$l_0 = z/2 + w + x$ ,  
 $l_0$  = center distance,  
 $y$  = workpiece height,  
 $w$  = workpiece length,  
 $x$  = coordinate dimension,  
 $s$  = stroke,  
 $z$  = stop diameter  
Calculation dimension  $x$ :  
 $y$  greater than or equal to  $l_2 - d_2/2$ ,  
then  $x = d_2/2 - s$   
or  
 $y$  smaller than  $l_2 - d_2/2$ ,  
then  $x = d_2/2 - s - [(l_2 - d_2/2 - y) * 0,123]$

#### Characteristic

Version light spring load = blue spring

#### Drawing



\*some sizes (see chart) have a deviating pin shape

#### Order information


| Dimensions    |               | Spring load<br>F<br>max. <sup>1)</sup><br>~<br>[lb] | Dimensions    |               | Stroke<br>s<br>[in] | Location<br>hole<br>D<br>H8<br>[in] | $x^{2)}$<br>[in] | max.<br>[°F] | oz    | Art. No. <sup>3)</sup> |
|---------------|---------------|---|---------------|---------------|---------------------|-------------------------------------|------------------|--------------|-------|------------------------|
| $d_1$<br>[in] | $d_2$<br>[in] |   | $l_1$<br>[in] | $l_2$<br>[in] |                     |                                     |                  |              |       |                        |
| 1/4           | 0.118         | 2.2   | 0.295         | 0.145         | 0.008               | 0.25                                | 0.051            | 212          | 0.022 | 2B150.0310             |

<sup>1)</sup> statistical average value

<sup>2)</sup> If the workpiece height ( $y$ ) is less than  $l_2 - d_2/2$ , the coordinate dimension ( $x$ ) must be calculated.

<sup>3)</sup> deviating pin shape (see drawing)

Accessories

|   | Dimensions<br>d <sub>1</sub><br>[in] | <br>[oz] | Art. No.   |
|---|--------------------------------------|---|------------|
| <b>assembly tool</b>  |                                      |   |            |
|  | 1/4                                  | 0.678   | 22150.0830 |

Compliance

**RoHS compliant**

Compliant according to Directive 2011/65/EU and Directive 2015/863.

**Does not contain SVHC substances**

No SVHC substances with more than 0.1% w/w contained - SVHC list [REACH] as of 23.01.2024.

**Does not contain Proposition 65 substances**

No Proposition 65 substances included.

<https://www.P65Warnings.ca.gov/>

**Free from Conflict Minerals**

This product does not contain any substances designated as "conflict minerals" such as tantalum, tin, gold or tungsten from the Democratic Republic of Congo or adjacent countries.