

Spring Plungers · with ball and slot - INCH

2B050.0082



Product Description

To be used for positioning, indexing, locking, latching as well as for other similar pressure applications.
Spring plungers can be used for locating or for applying pressure, as a detent or for ejection.

Material

Body

- Free cutting steel, blackened

Ball

- Stainless steel, hardened

Spring

- Stainless steel

Characteristic

Heavy spring load: marked with two lines



Light spring load



Standard spring load



Heavy spring load

More information

Notes

Special types on request.
Spring plungers are specially tested for spring range and forces.

- This product is manufactured in INCH dimensions.

References

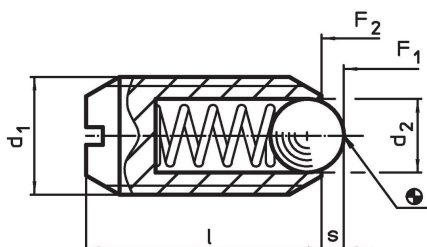
A conversion table can be found in the technical data following these product information pages.

Thread lock: polyamide spot coating (for details please refer to the technical appendix).
Calculation of indexing resistance, please refer to appendix - Technical Data -

Further products

- Spring Plungers, with ball and slot
- Locators, with bore hole, for spring plungers
- Locators, smooth, for spring plungers

Drawing

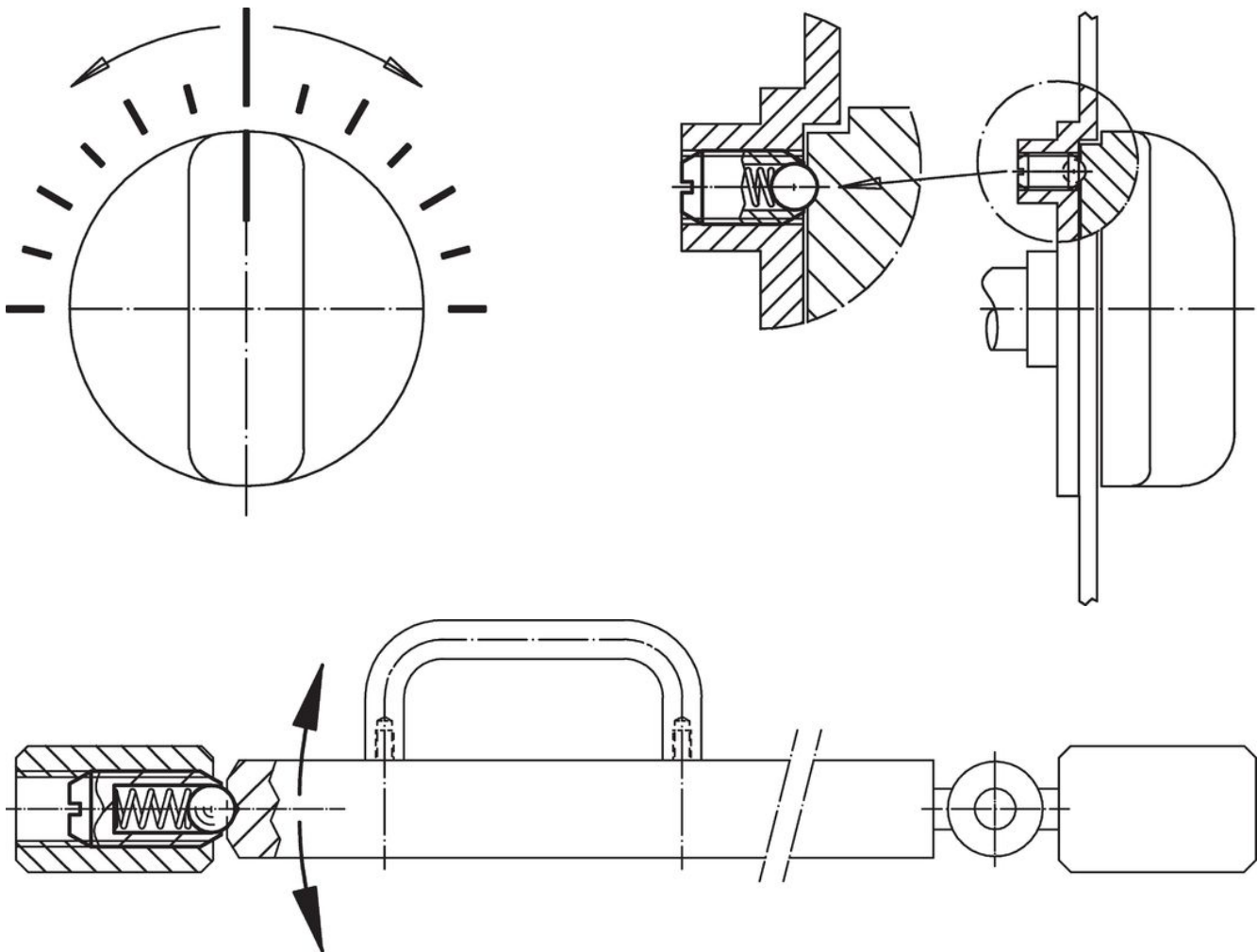


Order information

Dimensions					Stroke s	Spring load ¹⁾		Temperature		Weight [oz]	Art. No.	
d ₁	Thread	d ₂	l	F ₁ ~		F ₂ ~	min.	max.				
[in]		[in]	[in]	[in]	[lb]	[lb]	[°F]	[°F]				
free cutting steel, heavy spring load, Without thread lock												
5/8-11	5/8	0.625	2A-UNC	3/8	63/64	0.096	7	40	-22	482	0.825	2B050.0082

¹⁾ statistical average value

Application example



Compliance

RoHS compliant

Contains lead - compliant according to exceptions 6a / 6b / 6c.

Contains SVHC substances >0,1% w/w

Contains lead - SVHC list [REACH] as of 27.06.2024.

Contains Proposition 65 substances



Lead can cause cancer and reproductive harm from exposure
<https://www.P65Warnings.ca.gov/>

Free from Conflict Minerals

This product does not contain any substances designated as "conflict minerals" such as tantalum, tin, gold or tungsten from the Democratic Republic of Congo or adjacent countries.