

## Hinges • Zinc die-cast, with spring return

25163.0010



### Product Description

Hinges from zinc die-cast with spring return allow doors to be automatically opened or closed. The torque of the reset depends on the opening angle of the hinge (refer to the drawing). Endurance tests have shown that the torque of the reset does not change even after 100,000 cycles. These hinges from zinc die-cast are characterised by their simple and timeless design.

### Material

#### Body

- Zinc die-cast, plastic coated, silver, similar to RAL 9006, matt structure

#### Spring

- Spring steel wire

#### Covering

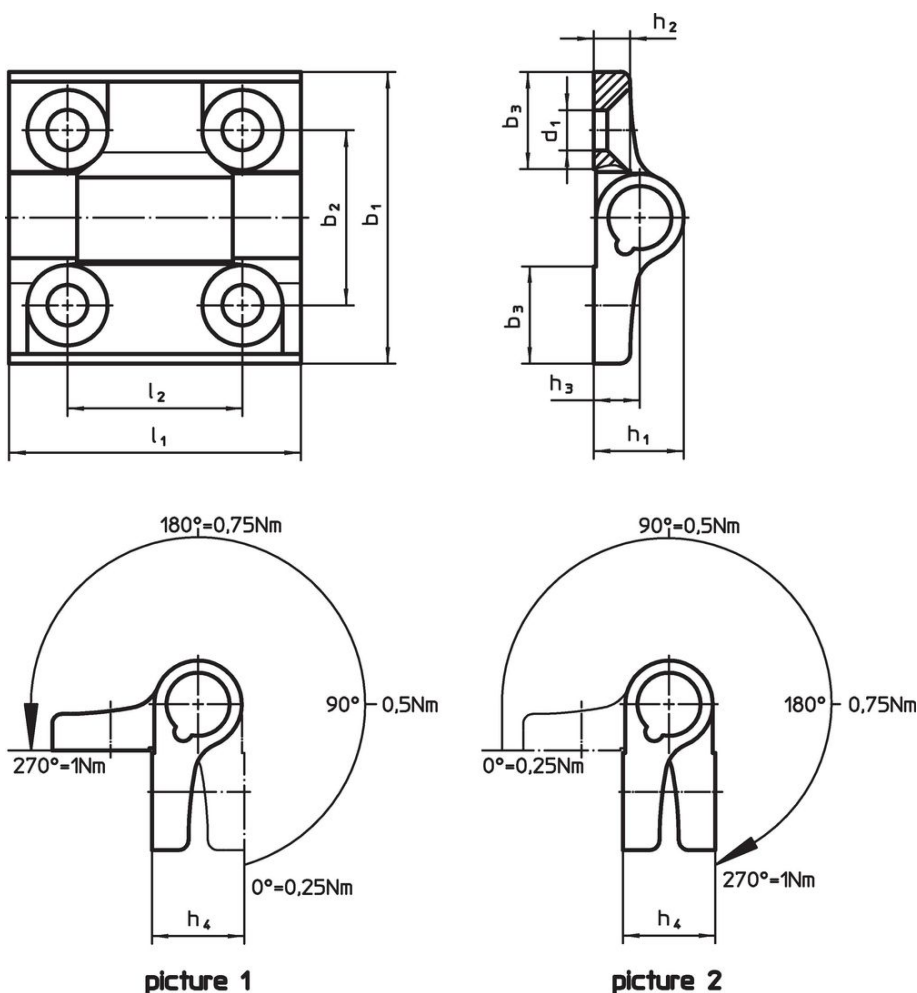
- Thermoplastic POM

### More information

#### Further products

- Spacer Plates, for hinges
- Threaded Plates, for hinges

### Drawing



### Order information

Dimensions											max. [°C]	[g]	Art. No.
$b_1$	$l_1$	$b_2$	$b_3$	$d_1$	$h_1$	$h_2$	$h_3$	$h_4$	$l_2$	[mm]			
spring-loaded return closing – picture 1, Zinc die-cast, silver													
60	60	36	20	8.3	18.5	7.5	9.5	19	36		80	149	25163.0010

## Compliance

### RoHS compliant

Compliant according to Directive 2011/65/EU and Directive 2015/863.

### Does not contain SVHC substances

No SVHC substances with more than 0.1% w/w contained - SVHC list [REACH] as of 23.01.2024.

### Does not contain Proposition 65 substances

No Proposition 65 substances included.

<https://www.P65Warnings.ca.gov/>

### Free from Conflict Minerals

This product does not contain any substances designated as "conflict minerals" such as tantalum, tin, gold or tungsten from the Democratic Republic of Congo or adjacent countries.