

Cylindrical Handles • rotating

24530.0251



Product Description

Material

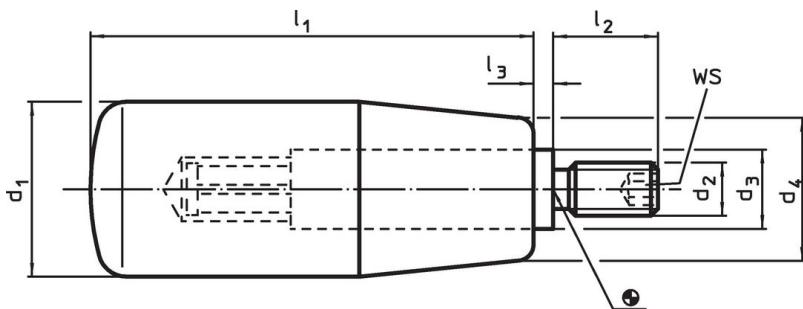
Axle part

- Stainless steel 1.4305

Cylindrical handle

- Thermosetting plastic PF 31, black

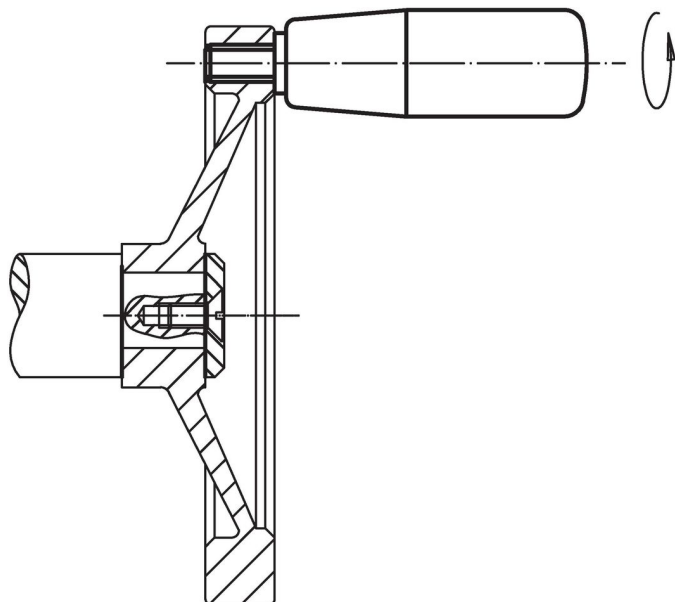
Drawing



Order information

Dimensions							WS	max.		Art. No.
d ₁	d ₂	d ₃	d ₄	l ₁	l ₂	l ₃	[mm]	[°C]	[g]	
Thermoset, Stainless steel										
26	M10	13	21	80	16	2.5	5	110	100	24530.0251

Application example



Compliance

RoHS compliant

Compliant according to Directive 2011/65/EU and Directive 2015/863.

Does not contain SVHC substances

No SVHC substances with more than 0.1% w/w contained - SVHC list [REACH] as of 23.01.2024.

Does not contain Proposition 65 substances

No Proposition 65 substances included.

<https://www.P65Warnings.ca.gov/>

Free from Conflict Minerals

This product does not contain any substances designated as "conflict minerals" such as tantalum, tin, gold or tungsten from the Democratic Republic of Congo or adjacent countries.