

## Knurled Nuts • DIN 6303

24480.0306



### Product Description

#### Material

- Stainless steel 1.4305

#### Assembly

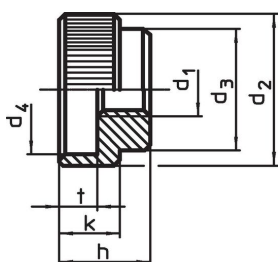
Form B: after being bored through the pin hole is to be situated within the tolerance field H7.

#### More information

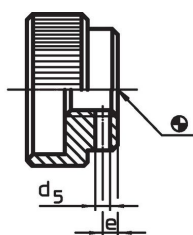
#### Notes

Knurling pitch and knurling depth may differ from DIN.

### Drawing




picture 1

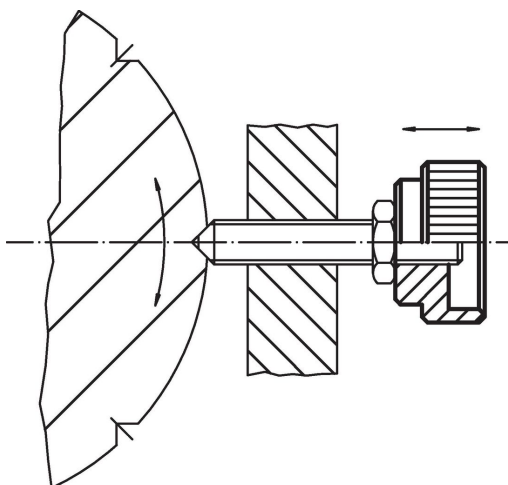


picture 2

### Order information

d <sub>1</sub>	d <sub>2</sub>	d <sub>3</sub>	d <sub>4</sub>	Dimensions d <sub>5</sub> Predrilled [mm]	e	h	k	t	Suitable straight pin DIN 7		Art. No.
										[g]	
with pin hole, form B – picture 2, Stainless steel											
M6	24	16	18	1.4	2.5	14	10	6	1,5 m6 x 16	25	24480.0306

### Application example



## Compliance

### RoHS compliant

Compliant according to Directive 2011/65/EU and Directive 2015/863.

### Does not contain SVHC substances

No SVHC substances with more than 0.1% w/w contained - SVHC list [REACH] as of 23.01.2024.

### Does not contain Proposition 65 substances

No Proposition 65 substances included.

<https://www.P65Warnings.ca.gov/>

### Free from Conflict Minerals

This product does not contain any substances designated as "conflict minerals" such as tantalum, tin, gold or tungsten from the Democratic Republic of Congo or adjacent countries.