

Machine Handles · DIN 39  
24450.0120

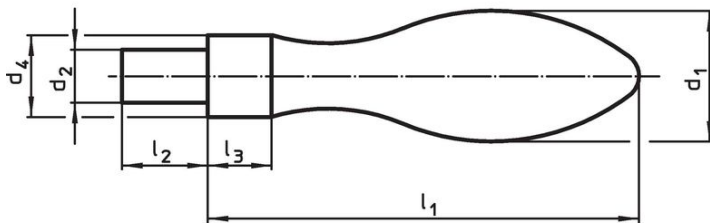


Product Description

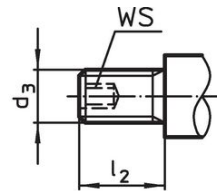
Material

- Steel, turned, zinc-plated by galvanization, passivated

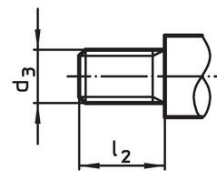
Drawing



picture 1



picture 2

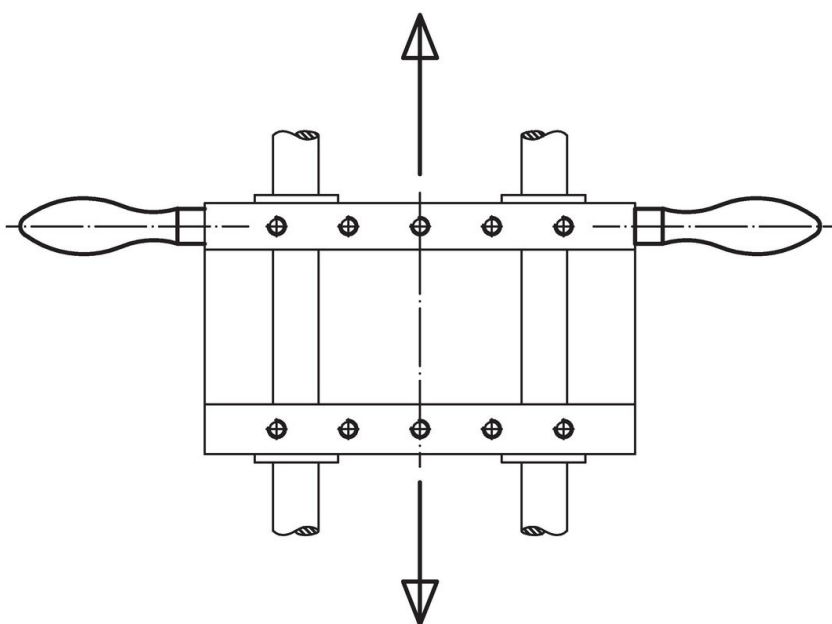


picture 3

Order information

Dimensions						WS		Art. No.
d <sub>1</sub>	d <sub>3</sub>	d <sub>4</sub> h13	l <sub>1</sub> ~	l <sub>2</sub>	l <sub>3</sub>	[mm]	[g]	
with male thread lug, form E – picture 2, Steel								
20	M8	13	64	13	8	4	88	24450.0120

Application example



## Compliance

### RoHS compliant

Compliant according to Directive 2011/65/EU and Directive 2015/863.

### Does not contain SVHC substances

No SVHC substances with more than 0.1% w/w contained - SVHC list [REACH] as of 23.01.2024.

### Does not contain Proposition 65 substances

No Proposition 65 substances included.

<https://www.P65Warnings.ca.gov/>

### Free from Conflict Minerals

This product does not contain any substances designated as "conflict minerals" such as tantalum, tin, gold or tungsten from the Democratic Republic of Congo or adjacent countries.